



US011064736B1

(12) **United States Patent**
Wanxiang et al.

(10) **Patent No.:** **US 11,064,736 B1**
(45) **Date of Patent:** **Jul. 20, 2021**

(54) **VAPORIZATION DEVICE WITH HEATING COMPONENT**

(71) Applicant: **BIDI VAPOR, LLC**, Grant-Valkarie, FL (US)

(72) Inventors: **Zou Wanxiang**, Shenzhen (CN); **Qiu Ningbo**, Shenzhen (CN); **Zhao XingFu**, Shenzhen (CN)

(73) Assignee: **Bidi Vapor, LLC**, Grant-Valkarie, FL (US)

(*) Notice: Subject to any disclaimer, the term of this patent is extended or adjusted under 35 U.S.C. 154(b) by 0 days.

(21) Appl. No.: **16/987,229**

(22) Filed: **Aug. 6, 2020**

(51) **Int. Cl.**

- A24F 40/40* (2020.01)
- A24F 40/44* (2020.01)
- A24F 40/46* (2020.01)
- A24F 40/10* (2020.01)
- F21K 9/61* (2016.01)
- F21V 33/00* (2006.01)
- A24F 40/51* (2020.01)

(52) **U.S. Cl.**

- CPC *A24F 40/40* (2020.01); *A24F 40/10* (2020.01); *A24F 40/44* (2020.01); *A24F 40/46* (2020.01); *A24F 40/51* (2020.01); *F21K 9/61* (2016.08); *F21V 33/0004* (2013.01)

(58) **Field of Classification Search**

CPC *A24F 47/008*; *A24F 40/44*; *A24F 40/46*
See application file for complete search history.

(56) **References Cited**

U.S. PATENT DOCUMENTS

- 9,808,034 B2 11/2017 Hon
10,932,491 B1* 3/2021 Wanxiang *A24F 40/44*

2011/0303231 A1* 12/2011 Li *A24F 47/008*
131/329

2012/0234315 A1 9/2012 Li et al.

2013/0213419 A1* 8/2013 Tucker *H05B 3/0014*
131/328

2013/0319431 A1* 12/2013 Cyphert *A24F 47/008*
131/275

2014/0014126 A1* 1/2014 Peleg *G05D 23/1919*
131/329

2016/0128387 A1 5/2016 Chen
(Continued)

FOREIGN PATENT DOCUMENTS

CN 201830900 U 5/2011
CN 203207189 U 9/2013

(Continued)

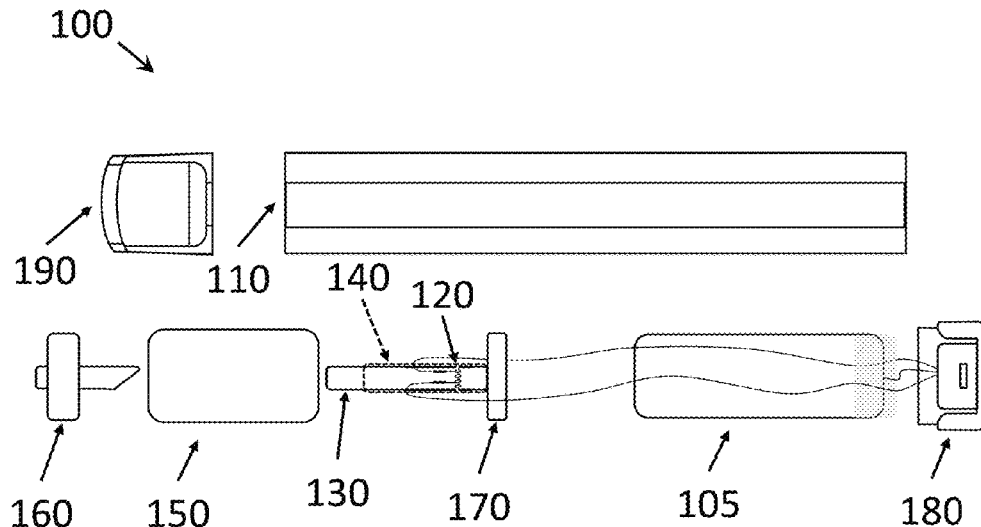
Primary Examiner — Anthony Calandra

(74) *Attorney, Agent, or Firm* — BakerHostetler

(57) **ABSTRACT**

In one example, a vaporization device includes a housing, a heating component disposed in the housing, and a first sleeving. The heating component includes an absorbent core element and a heating coil at least partially wound around the core element. The first sleeving includes an outer wall defining a notch leading to a through hole configured to receive and fixedly secure the core element. In another example, a vaporization device includes a bottom cap including an airflow sensor, a light source, and a light guide element. The light guide element is configured to operatively secure the bottom cap to a housing and to permit illuminated light from the light source to pass therethrough. In another example, a vaporization device includes a nozzle cap defining an air inlet, an air outlet, and an air channel and including a baffle and an oil-absorbing element.

17 Claims, 10 Drawing Sheets



(56)

References Cited

U.S. PATENT DOCUMENTS

2016/0219936 A1* 8/2016 Alarcon A24F 40/44
2017/0042242 A1 2/2017 Hon
2017/0127728 A1* 5/2017 Li H05B 1/0244
2017/0215484 A1* 8/2017 Xiang H02J 7/00
2020/0221779 A1 7/2020 Fu
2020/0245695 A1 8/2020 Fornarelli
2020/0281270 A1 9/2020 Potter et al.
2020/0329768 A1 10/2020 Ouyang
2020/0345073 A1 11/2020 Reeve

FOREIGN PATENT DOCUMENTS

CN 104010537 A 8/2014
CN 201085044 Y 8/2014

* cited by examiner

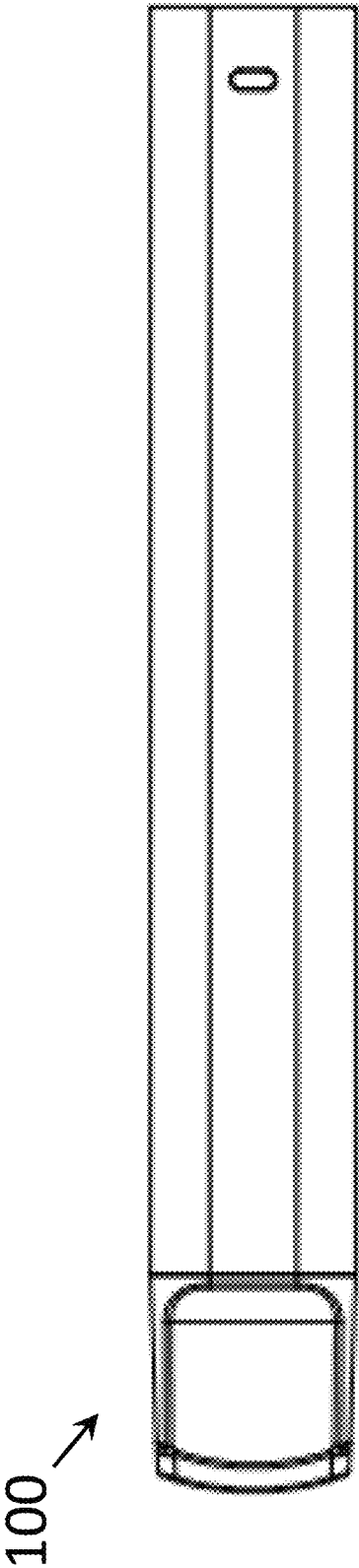


FIG. 1A

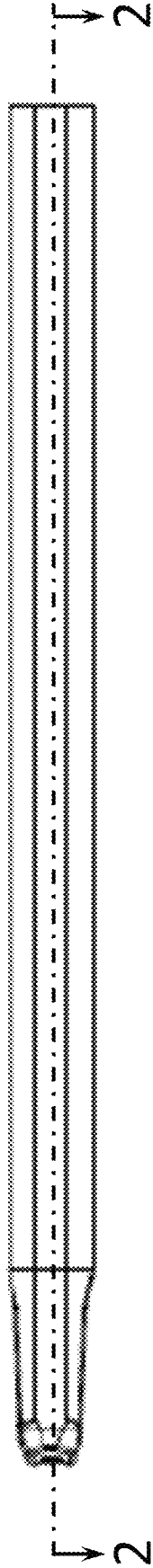


FIG. 1B

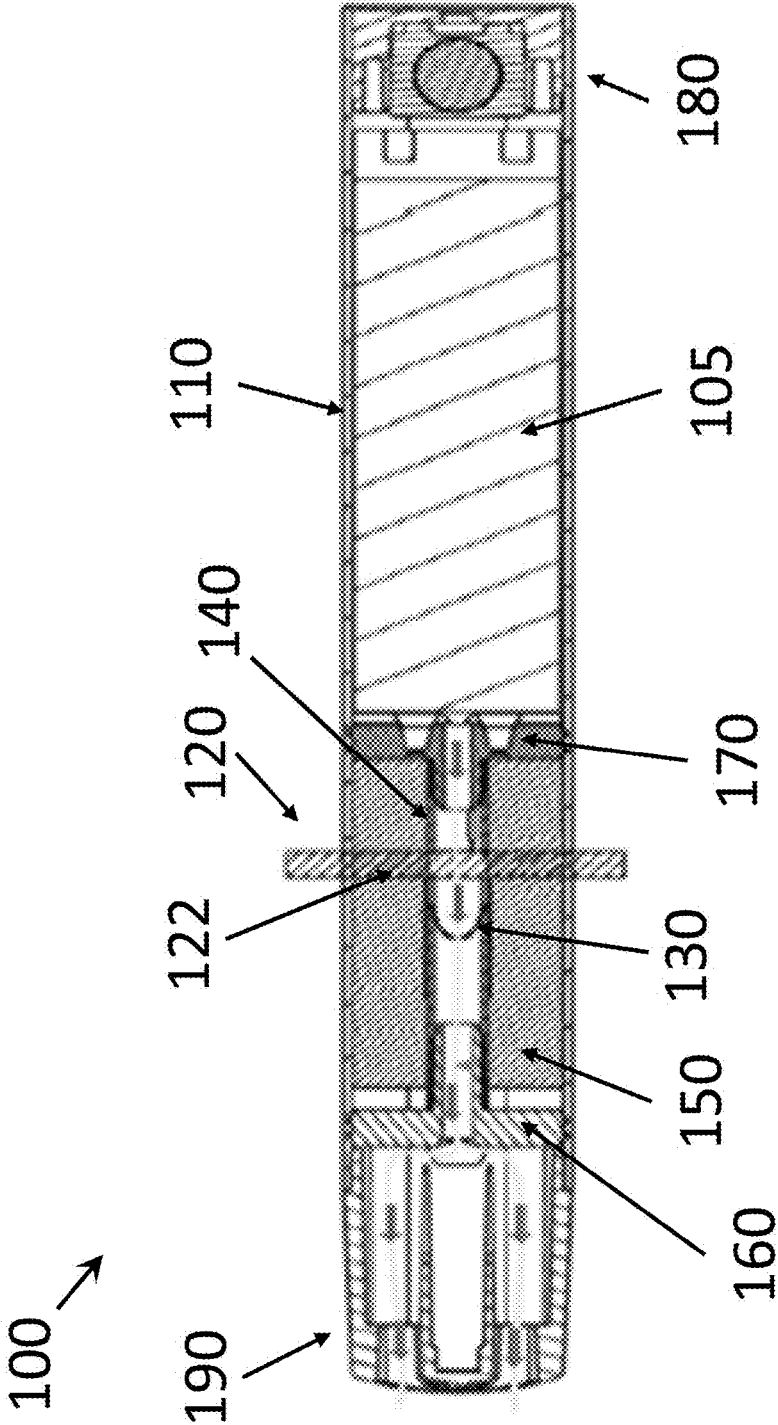


FIG. 2A

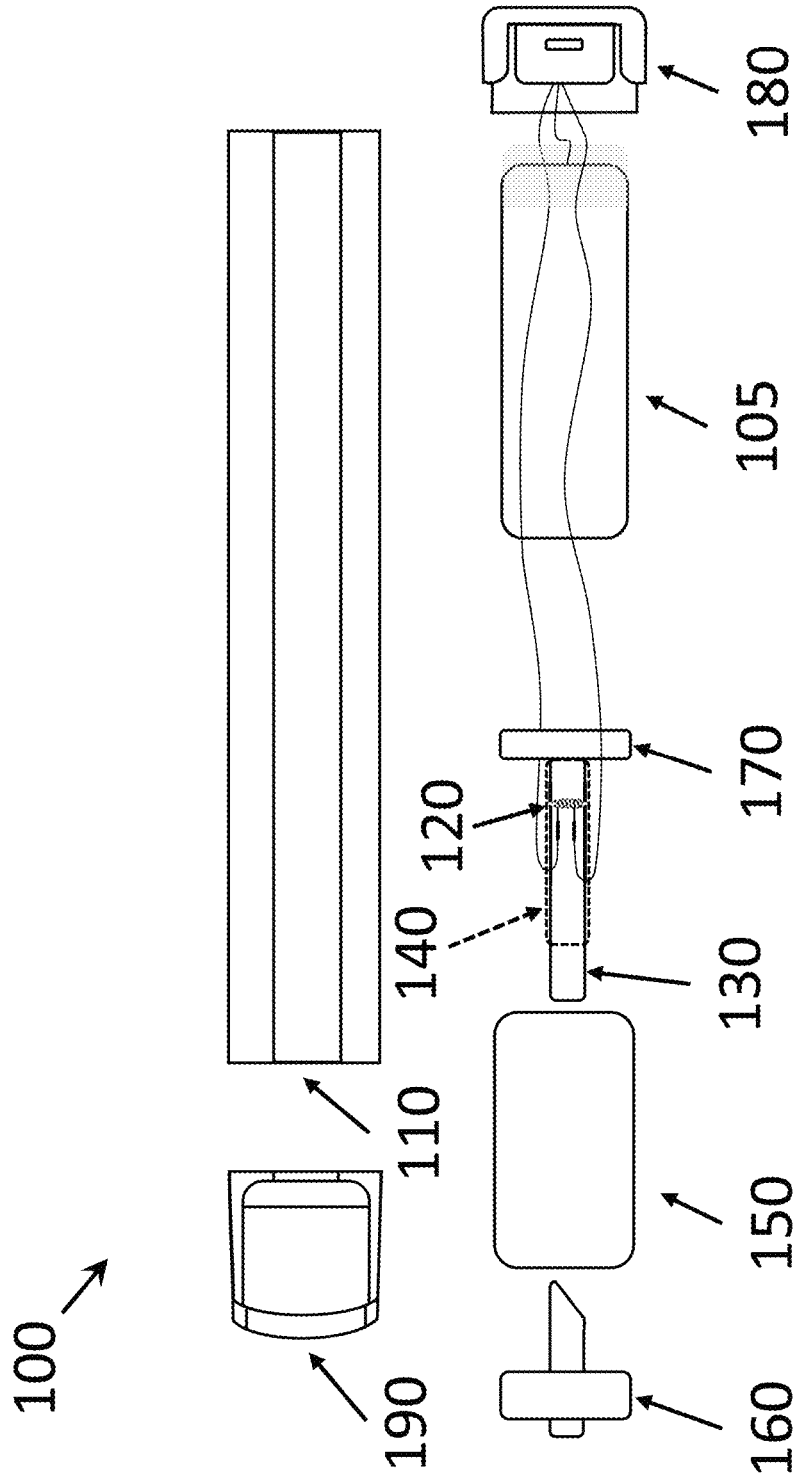


FIG. 2B

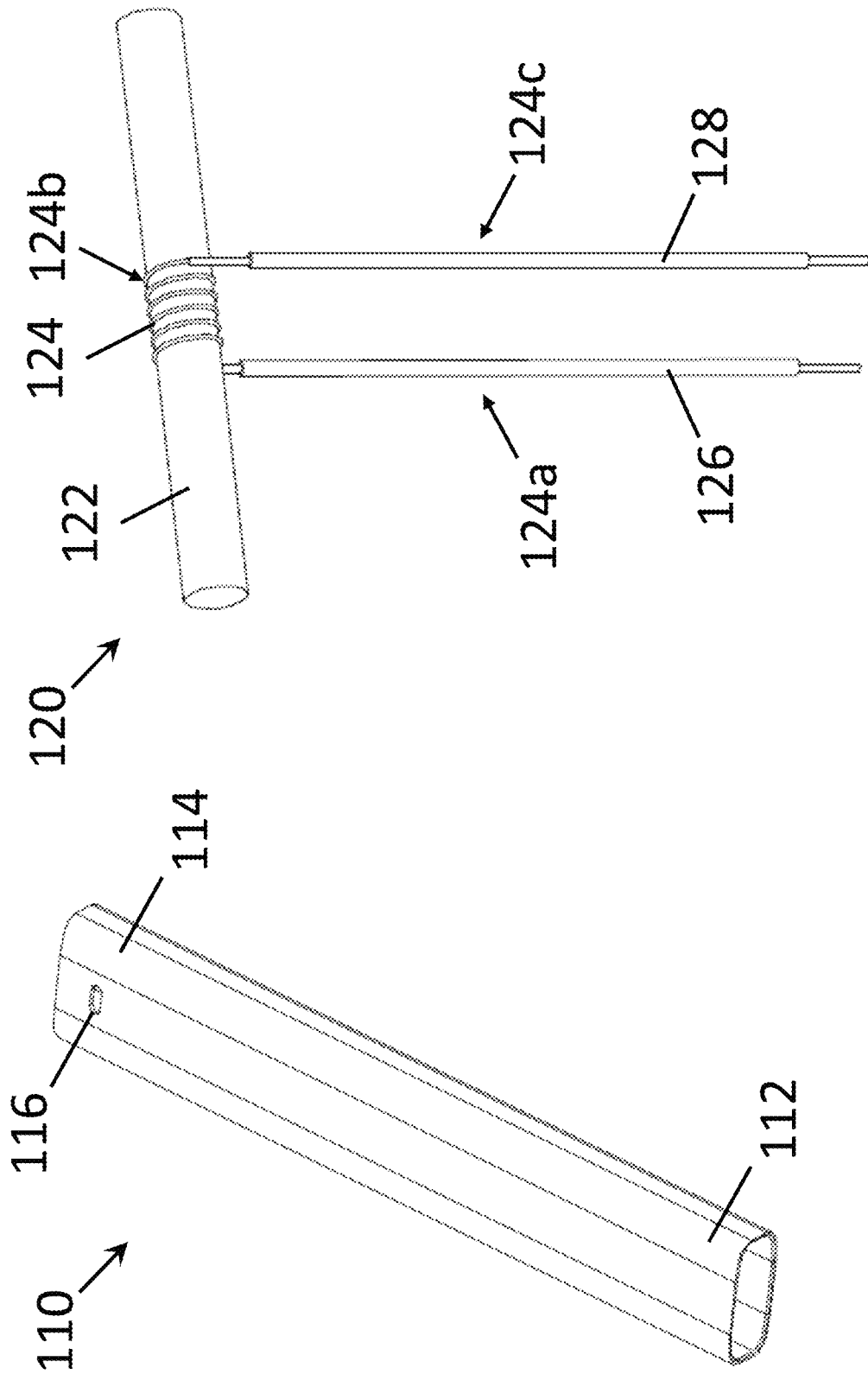


FIG. 4

FIG. 3

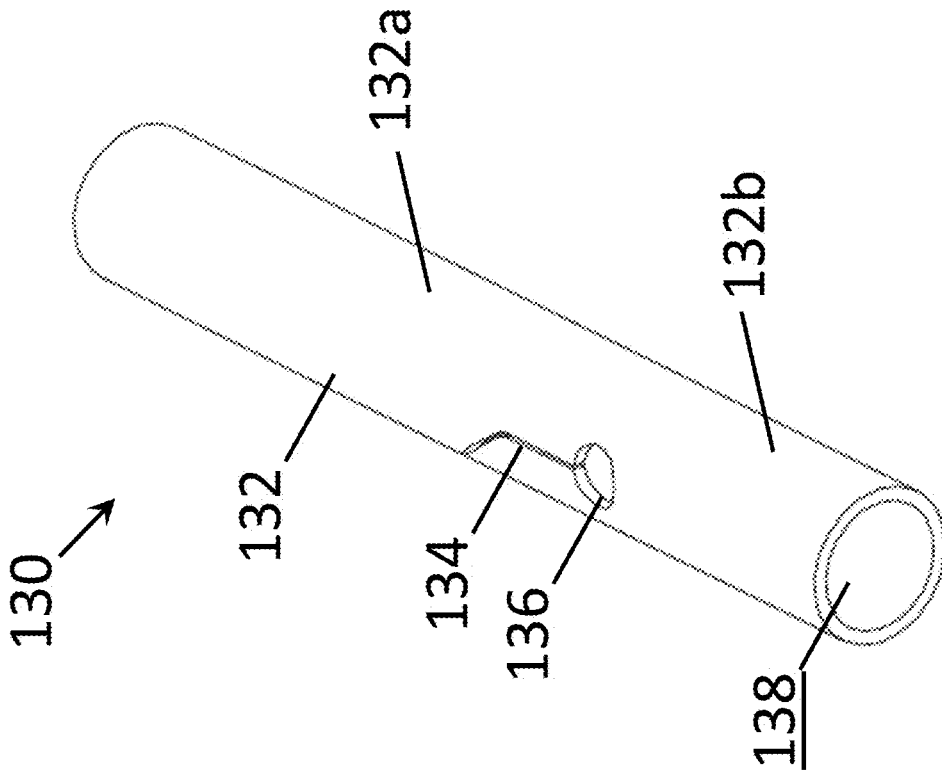


FIG. 5A

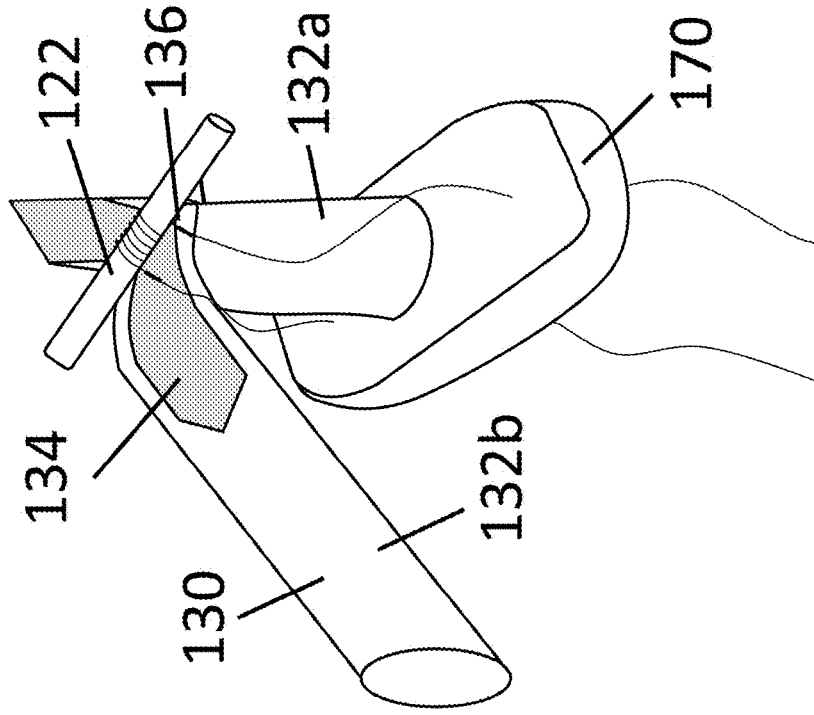


FIG. 5B

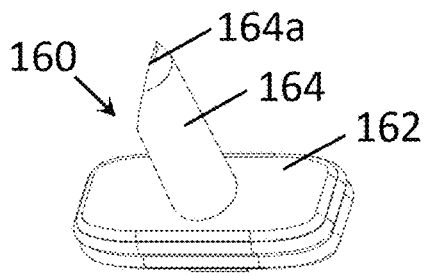


FIG. 6

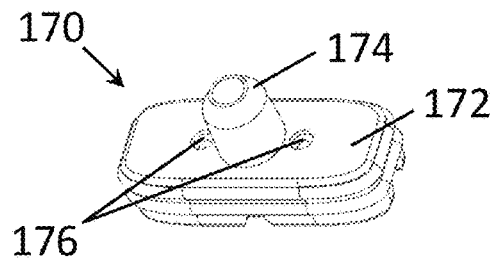


FIG. 7

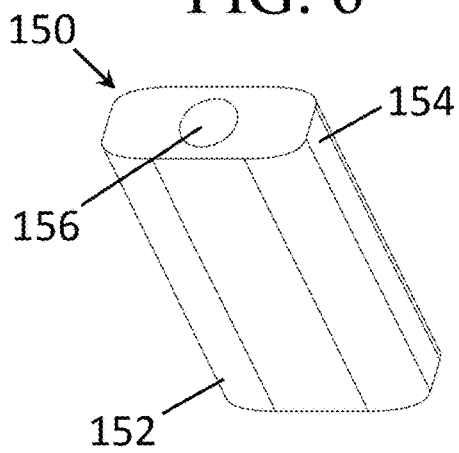


FIG. 8

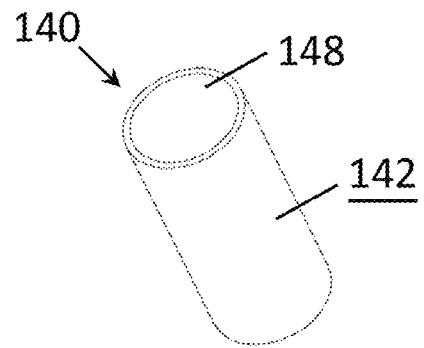


FIG. 9

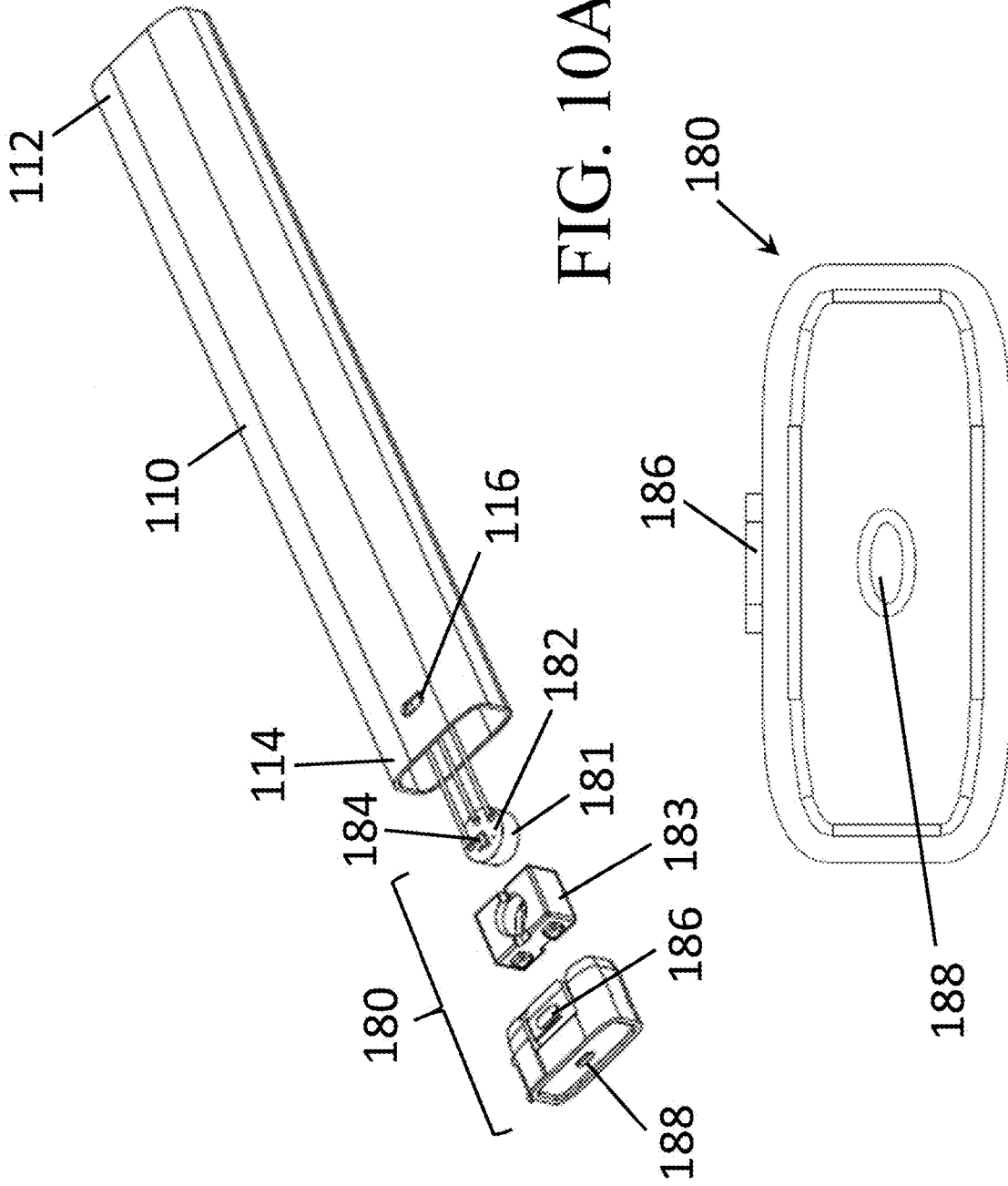


FIG. 10A

FIG. 10B

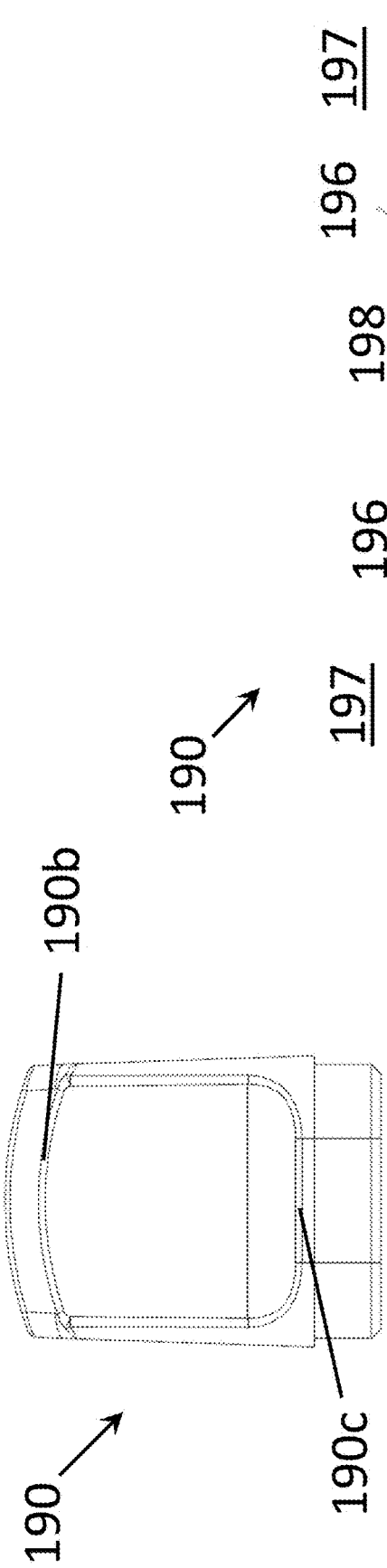


FIG. 11A

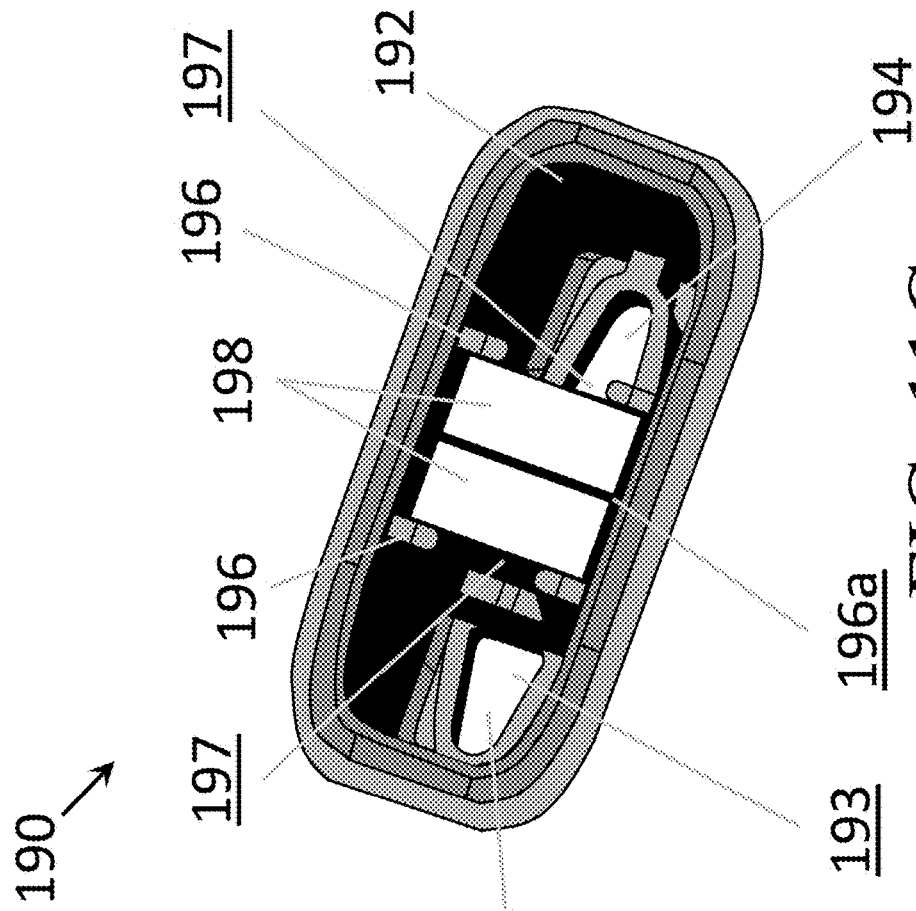


FIG. 11C

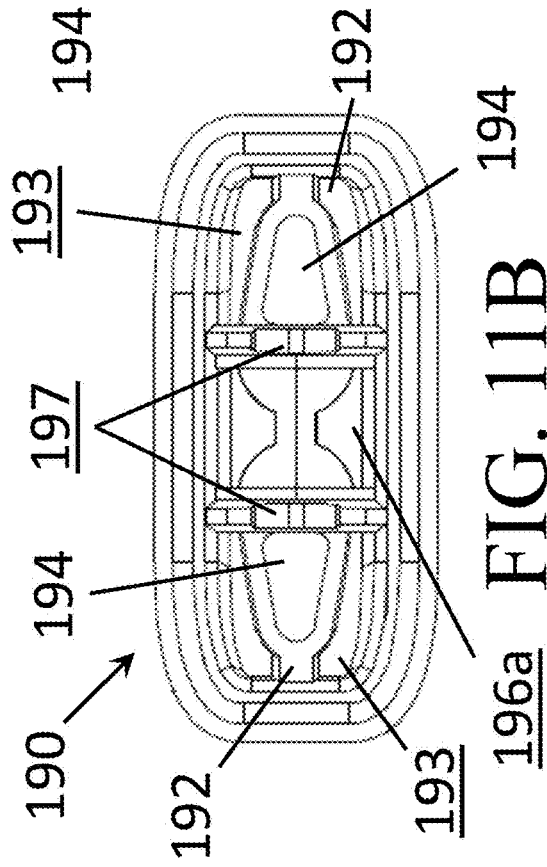


FIG. 11B

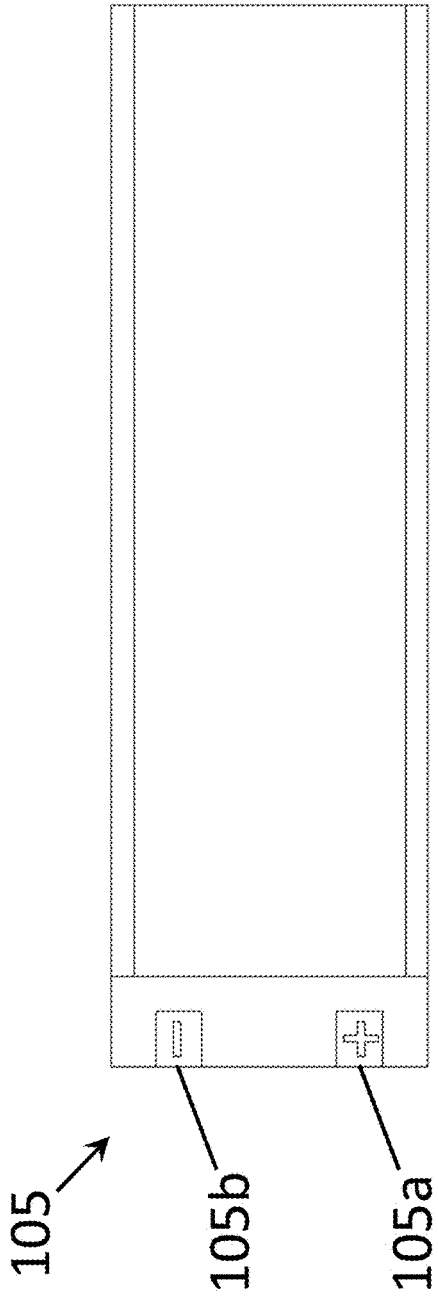


FIG. 12

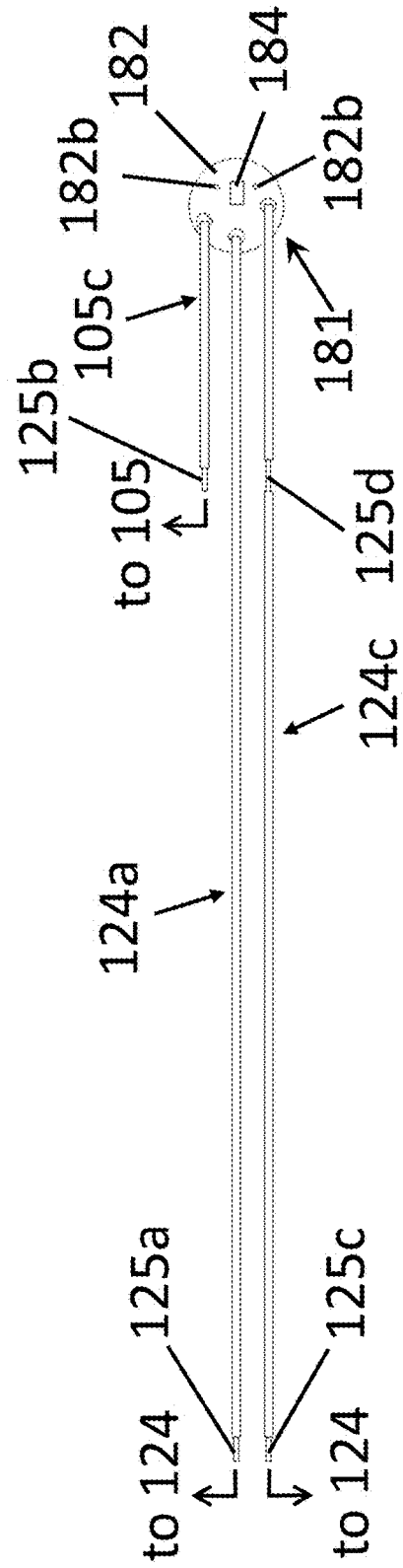


FIG. 13

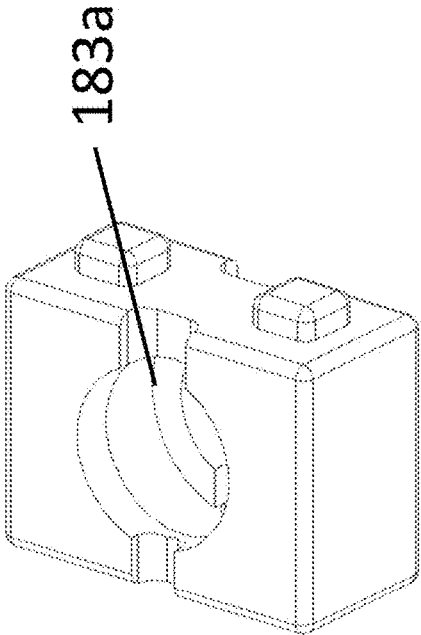


FIG. 14

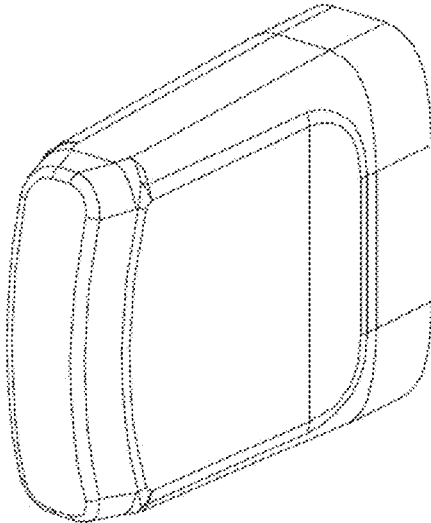


FIG. 15

180a

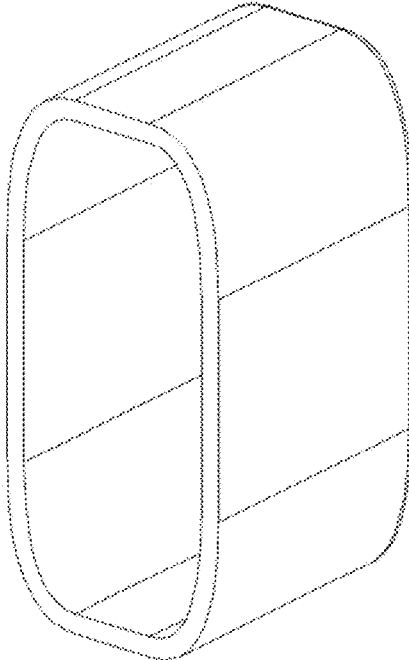


FIG. 16

VAPORIZATION DEVICE WITH HEATING COMPONENT

TECHNICAL FIELD

The present disclosure relates to vaporization devices, in particular, to vaporization devices in the form of simulated cigarettes or e-cigarettes in which a liquid (e.g., a nicotine-containing liquid) is atomized by a heating coil to produce vaporized aerosol to be inhaled by a user.

BACKGROUND

Conventional e-cigarettes are constructed of a unitary body, customarily with the front portion providing a power supply and the rear portion providing a heating component. In such conventional e-cigarettes, the heating component does not achieve sufficient contact with the oil storage reservoir containing the liquid, thereby resulting in ineffective and inefficient heating and vaporizing of the liquid. Some solutions include winding a heating wire around a glass fiber core and then guided out of a venting tube. However, these solutions require a complicated assembly process and are thus prone to easy damaging of the heating wire and lowered resistance of the heating wire, which undesirably decreases the useful life of the e-cigarette and the heating and vaporizing efficiency.

In addition to the foregoing, in conventional e-cigarettes, there are an unnecessary number of parts, which requires a wasteful amount of production costs and time. Moreover, in such conventional e-cigarettes, the vaporized aerosol is occasionally provided to the user at an undesirably (and potentially even dangerously) high temperature. In addition, in conventional e-cigarettes, there is insufficient liquid absorption in the nozzle cap due to inadequate contact surfaces along which the liquid can be absorbed.

Therefore, there is a need for a vaporization device (e.g., a simulated cigarette or e-cigarette) that is simple to assemble, provides efficient vaporization, and/or provides reduced temperatures of the vaporized aerosol.

SUMMARY

In one example, a vaporization device is provided. The vaporization device includes a housing. The housing has a first end and a second end opposite the first end thereof. The vaporization device further includes a heating component. The heating component is disposed in the housing. The heating component includes an absorbent core element. The core element is configured to absorb a liquid. The heating component further includes a heating coil. The heating coil is at least partially wound around the core element. The heating coil is configured to be energized to produce vaporized aerosol from the liquid. The vaporization device further includes a first sleeving. The first sleeving includes an outer wall. The outer wall of the first sleeving defines a notch. The notch leads to a through hole. The through hole is configured to receive and fixedly secure the core element.

In another example, a vaporization device is provided. The vaporization device includes a housing. The housing has a first end and a second end opposite the first end thereof. The vaporization device further includes a bottom cap. The bottom cap is operatively secured to the second end of the housing. The bottom cap includes a sensor. The sensor is configured to detect air flow or air pressure or both. The bottom cap further includes a light source. The light source is configured to illuminate in response to a signal received

from the sensor. The bottom cap further includes a light guide element. The light guide element is configured to operatively secure the bottom cap to the second end of the housing. The light guide element is further configured to permit illuminated light from the light source to pass there-through.

In a further example, a vaporization device is provided. The vaporization device includes a housing. The housing has a first end and a second end opposite the first end thereof. The vaporization device further includes a nozzle cap. The nozzle cap is operatively secured to the first end of the housing. The nozzle cap defines an air inlet. The nozzle cap further defines at least one air outlet. The nozzle cap further defines an air channel. The air channel extends between the air inlet and the at least one air outlet. The nozzle cap includes at least one baffle. The at least one baffle at least partially defines a cavity within the air channel. The nozzle cap further includes an oil-absorbing element. The oil-absorbing element is at least partially disposed within the cavity.

BRIEF DESCRIPTION OF THE DRAWINGS

The following description of the illustrative examples may be better understood when read in conjunction with the appended drawings. It is understood that potential examples of the disclosed systems and methods are not limited to those depicted.

FIG. 1A shows a first side view of a vaporization device according to one example;

FIG. 1B shows a second side view of the vaporization device of FIG. 1A;

FIG. 2A shows a cross-sectional view of the vaporization device taken along line 2-2 of FIG. 1B;

FIG. 2B shows an exploded view of the vaporization device of FIG. 1A;

FIG. 3 shows an isometric view of a housing of the vaporization device of FIG. 1A according to one example;

FIG. 4 shows an isometric view of a heating component of the vaporization device of FIG. 1A according to one example;

FIG. 5A shows an isometric view of a first sleeving of the vaporization device of FIG. 1A according to one example;

FIG. 5B shows a photograph of the first sleeving of FIG. 5A in use with the heating component of FIG. 4;

FIG. 6 shows an isometric view of an upper seal of the vaporization device of FIG. 1A according to one example;

FIG. 7 shows an isometric view of a lower seal of the vaporization device of FIG. 1A according to one example;

FIG. 8 shows an isometric view of a reservoir of the vaporization device of FIG. 1A according to one example;

FIG. 9 shows an isometric view of a second sleeving of the vaporization device of FIG. 1A according to one example;

FIG. 10A shows an exploded view of a bottom cap of the vaporization device of FIG. 1A according to one example;

FIG. 10B shows an end view of the bottom cap of FIG. 10A;

FIG. 11A shows a side view of a nozzle cap of the vaporization device of FIG. 1A according to one example;

FIG. 11B shows a bottom end view of the nozzle cap of FIG. 11A;

FIG. 11C shows a perspective view of the nozzle cap of FIG. 11A;

FIG. 12 shows a top view of a battery of the vaporization device of FIG. 1A according to one example;

3

FIG. 13 shows a top view of a controller, sensor, and wires of the vaporization device of FIG. 1A according to one example;

FIG. 14 shows an isometric view of a holder of the vaporization device of FIG. 1A according to one example;

FIG. 15 shows an isometric view of a nozzle cap case according to one example; and

FIG. 16 shows an isometric view of a bottom cap case according to one example.

DETAILED DESCRIPTION

In the following detailed description, reference is made to the accompanying drawings, which form a part hereof. In the drawings, similar symbols identify similar components, unless context dictates otherwise. The illustrative examples described in the detailed description and drawings are not meant to be limiting and are for explanatory purposes. Other examples may be utilized, and other changes may be made, without departing from the spirit or scope of the subject matter presented herein. It will be readily understood that the aspects of the present disclosure, as generally described herein and illustrated in the drawings, may be arranged, substituted, combined, and designed in a wide variety of different configurations, each of which are explicitly contemplated and form a part of this disclosure.

While e-cigarettes have been adequate for their intended purpose, there is a need for a vaporization device (e.g., a simulated cigarette or e-cigarette) that is simple to assemble, provides efficient vaporization, and/or provides reduced temperatures of the vaporized aerosol.

As will be appreciated by those skilled in the art, the vaporization devices of the present disclosure may be used in a variety of applications. By way of non-limiting example, it is contemplated that the vaporization devices described herein may be used to provide a vaporized aerosol or smoke from a nicotine-containing liquid. In certain examples, the nicotine-containing liquid may be medical-grade nicotine (e.g., about 6%) and/or may be combined with benzoic acid, propylene glycol, and/or glycerin (e.g., vegetable glycerin), which may allow the liquid to vaporize at lower temperatures and/or produce thick clouds upon exhale.

Referring first to FIG. 1A and FIG. 1B, an example vaporization device 100 is shown. As depicted, the vaporization device 100 may have a generally elongate body, although other examples of the disclosure are not so limited. In some examples, the vaporization device 100 may be disposable. As described in detail herein, the device 100 may be of any size, shape, and/or material as desired to suit a particular application. By way of non-limiting example, the device may have a length of about 112.5 mm, a width of about 15.5 mm, a height of about 7.0 mm, and/or a weight of about 15.7 grams.

The specific components of the vaporization device 100 may be seen with reference to FIG. 2A and FIG. 2B. FIG. 2A is a cross-sectional view of the vaporization device 100 taken along long 2-2 in FIG. 1B, and FIG. 2B is an exploded view of the vaporization device 100. As illustrated and explained in detail herein, the vaporization device 100 may include a battery 105, housing 110, a heating component 120, a first sleeving 130, a second sleeving 140, a reservoir 150, an upper seal 160, a lower seal 170, a bottom cap 180, and/or a nozzle cap 190.

As depicted in FIG. 2A and FIG. 2B, the vaporization device 100 may include a battery 105. The battery 105 may be disposed within the housing 110. The battery 105 may

4

generally be in electrical communication with the heating coil 124 and may be configured to energize the heating coil 124. The battery 105 may be of any size, shape, and/or material as desired to suit a particular application. By way of non-limiting example, the battery 105 may have a length of about 47 mm, a width of about 14 mm, and/or a height of about 5 mm. The battery 105 may, in certain examples, be made a ternary polymer lithium battery. In some examples, the battery 105 may be a lithium cobalt battery. The battery 105 may have a capacity of about 280 mAh. In examples, the battery capacity may relate to the capacity of the reservoir 150, as described below. For instance, a battery capacity for battery 105 can be provided that matches the amount of energy required to vaporize the fluid stored in the reservoir 150. Such battery capacity may also include an energization amount over the minimum energy required to vaporize all fluid stored in the reservoir 150 to provide additional battery capacity approximating for inefficiencies in vaporization owing to the need to repeatedly re-energize the heating coil 124 from ambient or below-vaporization temperature between uses or periods of vaporization. In examples, the battery 105 may be capable of being remanufactured or reused. For instance, the battery 105 may be configured to be removable from the device, remanufactured (e.g., recharged or reenergized), and then reinstalled into another device (e.g., a remanufactured device). This may advantageously increase the useful life of the battery and decrease waste. In examples, the battery 105 may be configured to have a maximum output voltage of about 4.25 volts, a resistance of about 2.5 Ohms, and/or a maximum output current of about 1.7 amps. In examples, the device 100 may generally be configured to have a minimum operating voltage of about 3.2 volts, and the battery 105 may generally be configured to provide the minimum operating voltage.

As shown in FIG. 3, the housing 110 is generally an elongate member, although other examples of the disclosure are not so limited. The housing 110 includes a first end 112 and a second end 114. The first end 112 of the housing 110 is generally positioned opposite the second end 114 of the housing 110 and the housing 110 extends therebetween. As will be described in more detail herein, a viewing panel 116 may be provided proximate the second end 114 of the housing 110. The housing 110 may be of any size, shape, and/or material as desired to suit a particular application. In general, the housing 110 is sized and shaped so as to be comfortably and conveniently held in a user's hand. By way of non-limiting example, the housing 110 may have a length of about 96 mm, a width of about 15.5 mm, and/or a height of about 7 mm. The housing 110 may, in certain examples, be made of aluminum. In examples, the housing 110 may have beveled outer edges, which may provide a more ergonomic feel for the user.

Turning now to FIG. 4, aspects of the heating component 120 can be seen. As will be understood with reference to FIG. 2A and FIG. 2B, the heating component 120 may be disposed in the housing 110. The heating component 120 includes a core element 122. The core element 122 may be an absorbent core element. In this way, the core element 122 may be configured to absorb and/or store a liquid therein. The core element 122 may, in certain examples, serve as a temporary storage reservoir for the liquid to be vaporized. In some examples, the core element 122 may be in the form of an elongate rod or tube, although other examples of the disclosure are not so limited. As will be appreciated by those skilled in the art and may be understood with reference to FIG. 2A, the core element 122 may interface with (i.e., be in fluid communication with) the reservoir 150 and draw the

5

liquid therefrom onto the core element **122**. The core element **122** may be of any size, shape, and/or material as desired to suit a particular application. By way of non-limiting example, the core element **122** may have a length of about 19 mm, a diameter of about 2 mm, and/or a mass of about 0.8 g. The core element **122** may, in certain examples, be made of cotton (e.g., organic cotton). In some examples, the core element **122** may be in the form of a cotton rope, oil-conducting wool, or other absorbent material. The core element **122** described herein may overcome some of the disadvantages of conventional glass fiber cores, which are prone to the dusting of potentially harmful metals or fibers into the vaporized aerosol, which may disadvantageously and potentially dangerously be provided to the user (e.g., by the ceramic coil breaking and releasing silica powder, which is harmful to the user's health).

With continued reference to FIG. 4, the heating component **120** also includes a heating coil **124**. The heating coil **124** may be in the form of a wire. In this way, at least a portion of the heating coil **124** may be wound around the core element **122**. The heating coil **124** may, in certain examples, may serve to heat the liquid drawn onto the core element **122**. In examples, the heating coil **124** may be configured to be energized to produce a vaporized aerosol from the liquid. The liquid may, in certain examples, be vaporized through absorption as the liquid is drawn in by the core element **122**. That is, in examples, generally only the liquid that has been drawn in by the core element **122** is heated by the heating coil **124**; the remainder of the liquid stored in the reservoir **150** (e.g., generally around the heating component **120**) remains unheated. This may advantageously obviate the need to continuously reheat a large amount of liquid (e.g., the remainder of the liquid in the reservoir **150**), which may lead to a fresher and more consistent experience for the user during each pull of vaporized aerosol and the prevention of molecular breakdown of the liquid (e.g., a nicotine-containing liquid). This may also advantageously avoid the user from being provided with vaporized aerosol having an undesirable burning taste or flavor as is known to occur in existing e-cigarettes. The liquid may be drawn in by the core element **122** and/or heated by the heating coil **124** in response to a signal from a sensor **182**, as described herein (e.g., a signal indicating suction or negative pressure). Upon heating the liquid via the heating coil **124** to produce a vaporized aerosol or smoke, the vaporized aerosol or smoke may generally travel along the flow path illustrated with arrows in FIG. 2A.

In the example illustrated in FIG. 4, the heating coil **124** may include a first end portion **124a** and a second end portion **124c**. An intermediary portion **124b** of the heating coil **124** may be positioned between the first and second end portions **124a**, **124c**. In examples, the intermediary portion **124b** of the heating coil **124** may be crimped to the first and second end portions **124a**, **124c** of the heating coil **124**. In other examples, the intermediary portion **124b** of the heating coil **124** may be soldered or otherwise attached to the first and second end portions **124a**, **124c** of the heating coil **124**. The intermediary portion **124b** of the heating coil **124** may extend directly between the first and second end portions **124a**, **124c** of the heating coil **124**. In examples, the intermediary portion **124b** and the first and second end portions **124a**, **124c** of the heating coil **124** may each be portions of a single, unitary wire that extends between the positive and negative terminals **105a**, **105b** of the battery **105a**. Although the intermediary portion **124b** of the heating coil **124** may be connected to the first and second end portions **124a**, **124c** of the heating coil **124** as described above, it is to be under-

6

stood that the intermediary portion **124b** and the first and second end portions **124a**, **124c** of the heating coil **124** may each be portions of the same wire, with the intermediary portion **124b** disconnected (e.g., cut) from the first and second end portions **124a**, **124c** to ease the process of winding the intermediary portion **124b** of the heating coil **124** about the core element **122** and reconnected thereafter (e.g., crimped, soldered). The heating coil **124** may be electrically connected directly to the battery **105**, and the heating coil **124** may be defined by a single, continuous wire having a substantially constant resistance (e.g., about 2.5 Ohms) over its entire length as it extends from the positive terminal **105a** of the battery, winds around the core element **122**, and extends to the negative terminal **105b** of the battery **105**. In other related examples, the heating coil **124** may include multiple portions of the same or substantially the same wire (e.g., the same or substantially the same materials and thermal properties, such as resistance) joined together (e.g., crimped, soldered) to form the entirety of the heating wire **124**. In each of the examples described herein, the heating coil **124** may generally have a substantially constant resistance over its entire length as it extends from the positive terminal **105a** of the battery, winds around the core element **122**, and extends to the negative terminal **105b** of the battery **105**, as described herein. This may allow for the user of lower resistance wires as compared to existing e-cigarettes and/or may provide better heat management and battery draw. The heating coil **124** (e.g., the wires thereof) may provide advantages over the wiring used in existing e-cigarettes, which conventionally use wires of differing materials or differing resistance between the heating coil and the connections to the battery. In such existing e-cigarettes, this results in more expensive, difficult, time-consuming, and generally inefficient manufacturing and assembly processes.

As can be seen in FIG. 4, the intermediary portion **124b** may be wound around the core element **122**. In contrast, in this example, the first and second portions **124a**, **124c** may not be wound around the core element **122**. The first end portion **124a** may be at least partially disposed within a first tube **126**. Similarly, the second end portion **124c** may be at least partially disposed within a second tube **128**. The heating coil **124** (and components thereof) may be of any size, shape, and/or material as desired to suit a particular application. By way of non-limiting example, the heating coil **124** may have a diameter of about 0.12 mm and/or a resistance of about 2.5 Ohms. In other examples, the heating coil **124** can have a greater or smaller diameter and/or greater or smaller resistance, either or both of which can be based on the size or capacity of the reservoir **150** and/or the type of fluid in the reservoir **150**. The heating coil **124** may, in certain examples, include a nickel-chromium alloy. The heating coil **124** may, in certain examples, be a nickel-chromium wire. By way of further non-limiting example, the first and second tubes **126**, **128** may each have an outer diameter of about 0.5 mm, an inner diameter of about 0.25 mm, and/or a length of about 22 mm. The first and second tubes **126**, **128** may, in certain examples, each be made of a polytetrafluoroethylene (PTFE) material (e.g., Teflon). In some examples, the first and second tubes **126**, **128** may serve to insulate a portion of the heating coil **124** (e.g., the non-wound first and second end portions **124a**, **124c** of the heating coil **124**). By way of further non-limiting example, the first and second end portions **124a**, **124c** of the heating coil **124** may have exposed leads (i.e., uncovered areas on opposing ends of each of the first and second tubes **126** and **128**, respectively) of about 2 mm. By way of further

non-limiting example, the intermediary portion **124b** of the heating coil **124** may have a length of about 3 mm. Put another way, in certain examples, about 3 mm of the heating coil **124** may be wound around the core element **122**, although other examples of the disclosure are not so limited.

With reference to FIG. **13**, the first and second end portions **124a**, **124c** of the heating coil **124** may extend to the controller **181** and/or the sensor **182**. In this way, the heating coil **124** may be electrically connected directly to the battery **105**. In examples, a wire **105c** may electrically connect the controller **181** and/or the sensor **182** to the positive terminal **105a** of the battery **105** (e.g., proximate connection point **125b**). The first end portion **124a** of the heating coil **124** may electrically connect the controller **181** and/or the sensor **182** to the intermediary portion **124b** of the heating coil **124** wound around the core element **122** (e.g., proximate connection point **125a**). As will be appreciated by those skilled in the art, the first end portion **124a** of the heating coil **124** may send and/or receive signals between the controller **181** and/or the sensor **182** and the heating coil **124**. The second end portion **124c** of the heating coil **124** may electrically connect the controller **181** and/or the sensor **182** to the negative terminal **105b** of the battery **105** (e.g., proximate connection point **125d**) and may further electrically connect the negative terminal **105b** of the battery **105** to the intermediary portion **124b** of the heating coil **124** wound around the core element **122** (e.g., proximate connection point **125c**). As will be appreciated by those skilled in the art, the second end portion **124c** of the heating coil **124** may send and/or receive signals between the controller **181** and/or the sensor **182** and the heating coil **124**. The connection points **125a-d** may be a crimped joint, a solder joint, or the like. As described herein, the connection points **125a-d** may, in some examples, be connections along a single, continuous wire of substantially constant resistance. In other examples, the connection points **125a-d** may serve to interconnect sections of substantially identical wire of substantially constant resistance (i.e., with the connection points joining portions of the same or substantially the same wire having the same or substantially same materials and thermal properties, such as resistance). As described herein, the heating coil **124** may generally be energized by the battery **105**. In examples, the maximum voltage to the heating coil **124** may be about 3.6 volts, the maximum current flow to the heating coil **124** may be about 1.5 amps, and/or the maximum power output to the heating coil **124** may be about 5.4 watts. In further examples, the heating coil **124** may be configured to heat the liquid when the voltage to the heating coil **124** is about 3.2 volts or greater.

Turning now to FIG. **5A** and FIG. **5B**, aspects of the first sleeving **130** may be seen. As will be understood with reference to FIG. **2A** and FIG. **2B** and as explained in detail herein, the first sleeving **130** may be configured to receive and fixedly secure the heating element **120** (e.g., the core element **122** thereof) within the housing **110**. As depicted, the first sleeving **130** may be in the form of an elongate rod or tube, although other examples of the disclosure are not so limited. The first sleeving **130** may, in some examples, serve as a venting tube. The first sleeving **130** may include an outer wall **132**. The outer wall **132** may generally define and/or bound an interior **138** of the first sleeving **130**. The interior **138** of the first sleeving **130** may, in some examples, be a hollow interior designed to receive and accommodate at least a portion of the heating component **120** therein and/or therethrough.

The outer wall **132** of the first sleeving **130** may define a notch **134**. Generally, the notch **134** may extend entirely

through the outer wall **132** of the first sleeving **130** into the interior **138** of the first sleeving **130**. The notch **134** may lead to and communicate with a through hole **136**. As may be best understood with reference to FIG. **5B**, the through hole **136** may pass completely through the outer wall **132** of the first sleeving **130**. In this way, as will be understood, the through hole **136** may generally define two openings through the outer wall **132** of the first sleeving **130**. As will be further understood, the notch **134** generally extends between and interconnects the two openings defined by the through hole **136**. As such, as may be understood from FIG. **5B**, a first portion **132a** of the outer wall **132** of the first sleeving **130** may be bent, pulled, pressed, deflected, or otherwise moved relative to a second portion **132b** of the outer wall **132** of the first sleeving **130** so as to permit insertion of the heating component **120** into the first sleeving **130**. In examples, such as is shown in FIG. **5B**, the core element **122** of the heating component **120** may generally extend through the through hole **136** in the outer wall **132** of the first sleeving **130**. Once the core element **122** is received in the through hole **136**, the first portion **132a** of the outer wall **132** may be bent, pulled, pressed, deflected, or otherwise moved relative to the second portion **132b** (e.g., to the initial, closed position shown in FIG. **5A**). In this way, the through hole **136** may receive and fixedly secure the core element **122** in place within the housing **110**. This process of assembling the heating component **120** and first sleeving **130** provides a stable and efficient assembly process that is quicker and better than is done in conventional e-cigarettes. Although the first portion **132a** of the outer wall **132** is described as being moved relative to the second portion **132b** of the outer wall **132**, it is to be readily understood that the second portion **132b** of the outer wall **132** could instead be moved relative to the first portion **132a** of the outer wall **132** and/or each of the first and second portions **132a**, **132b** of the outer wall **132** could each be moved relative to one another to open the outer wall **132** and accommodate receiving the core element **122** heating component **120** in the through hole **136**.

The first sleeving **130** may be of any size, shape, and/or material as desired to suit a particular application. By way of non-limiting example, the first sleeving **130** may have a length of about 28.5 mm, an outer diameter of about 4 mm, and/or an inner diameter of about 3.3 mm. By way of further non-limiting example, the notch **134** may have a length of about 7.5 mm. By way of further non-limiting example, the through hole **136** may have a diameter of about 1.6 mm. Generally, the notch **134** may have a width that is less than a diameter of the through hole **136**. In examples, the cross-sectional shape of the notch **134** axially along the first sleeving **130** may be two lines or surfaces oriented at an obtuse angle relative to one another (refer to FIG. **5A**), although other examples of the disclosure are not so limited. The first sleeving **130** may, in certain examples, be made of fiberglass.

With reference now to FIGS. **6-9**, other components of the vaporization device **100** may be seen. FIG. **6** depicts a first seal **160**. The first seal **160** may also be referred to as an upper seal or nozzle cap seal. With reference to FIG. **2A** and FIG. **2B** as well, the first seal **160** may be positioned proximate the first end **112** of the housing **110**. In examples, the first seal **160** may be positioned between the nozzle cap **190** and the reservoir **150**. In this way, the first seal **160** may prevent or retard the leakage of liquid into the nozzle cap **190**. The first seal **160** may include a base **162** and a nipple **164** extending outwardly away the base **162**. The nipple **164** may be tapered at its distal end **164a**. The nipple **164** may include an opening or channel extending therethrough to

permit the passage of vaporized aerosol therethrough to the nozzle cap **190**. In this regard, as may be understood from FIG. 2A and FIG. 2B, the first seal **160** may interface directly with the first sleeving **130** to receive the vaporized aerosol therethrough (refer to the vaporized aerosol or smoke flow path illustrated with arrows in FIG. 2A). The nipple **164** may assist in keeping the first seal **160** aligned within the housing **110**, thereby preventing motion of the first seal **160** and maintaining a strong seal (e.g., a fluid-tight seal). The first seal **160** may be of any size, shape, and/or material as desired to suit a particular application. By way of non-limiting example, the first seal **160** may have a length of about 16.5 mm. By way of further non-limiting example, the nipple **164** may have a diameter of about 3.6 mm, a length of about 12 mm, and/or a width of about 3.6 mm. By way of further non-limiting example, the base **162** may have a length of about 15 mm, a width of about 6.5 mm, and/or a height of about 3 mm. By way of further non-limiting example, the opening or channel extending through the nipple **164** may have a diameter of about 2 mm. The first seal **160** may, in certain examples, be made of a silica gel (e.g., 60° silica gel). The first seal **160** may, in certain examples, be resistant (e.g., avoid substantial changes to material properties or performance) at elevated temperatures (e.g., 250° C.). In examples, the first seal **160** may be dimensioned for an interference fit within the housing **110** (i.e., by being fit into the housing **110** after slight compression).

FIG. 7 depicts a second seal **170**. The first seal **170** may also be referred to as a lower seal or bottom cap seal. With reference to FIG. 2A and FIG. 2B as well, the second seal **170** may be positioned proximate the second end **114** of the housing **110**. In examples, the second seal **170** may be positioned between the heating component **120** and the bottom cap **180** and/or battery **105**. In this way, the second seal **170** may prevent or retard the leakage of liquid into the bottom cap **180** and/or to the battery **105**. In some examples, the second seal **170** may support and/or accommodate the wires of the heating coil **124**. For instance, the second seal **170** may include a pair of openings **176** sized and shaped to permit the wires of the heating coil **124** to pass therethrough. The second seal **170** may include a base **172** and a nipple **174** extending outwardly away the base **172**. The nipple **174** may assist in keeping the second seal **170** aligned within the housing **110**, thereby preventing motion of the second seal **170** and maintaining a strong seal (e.g., a fluid-tight seal). The second seal **170** may be of any size, shape, and/or material as desired to suit a particular application. By way of non-limiting example, the second seal **170** may have a length of about 7.9 mm. By way of further non-limiting example, the nipple **174** may have a diameter of about 1.8 mm, a length of about 12 mm, and/or a width of about 3.6 mm. By way of further non-limiting example, the base **172** may have a length of about 15 mm, a width of about 6.5 mm, and/or a height of about 3.8 mm. By way of further non-limiting example, each opening **176** may have a diameter of about 1.8 mm. The second seal **170** may, in certain examples, be made of a silicon rubber (e.g., 60° silicon rubber). In examples, the second seal **170** may be made of a first material (e.g., 60° silicon rubber) and the first seal **160** may be made of a second material (e.g., 60° silical gel) different from the first material. In other examples, the first and second seals **160**, **170** may be made of the same material and have the same or different hardnesses. The second seal **170** may, in certain examples, be resistant (e.g., avoid substantial changes to material properties or performance) at elevated temperatures (e.g., 250° C.). In examples, the

second seal **170** may be dimensioned for an interference fit within the housing **110** (i.e., by being fit into the housing **110** after slight compression).

FIG. 8 depicts a reservoir **150**. The reservoir **150** may be an absorbent reservoir. In this way, the reservoir **150** may be configured to absorb and/or store a liquid therein. Put another way, the reservoir **150** may be configured to have sponge-like qualities (i.e., capable of being squeezed to release the liquid and reabsorbing the liquid). This may solve known problems with standing liquid that are present in existing e-cigarettes. This may also assist in preventing or retarding the ability for the liquid to leak from the reservoir **150**. Further yet, this may prevent the heating of more liquid than what is drawn into the vicinity of the heating coil **124** (e.g., by the core element **122**), which may thereby prevent undesirable chemical changes in the liquid (e.g., due to constant heating and cooling) and/or undesirable burning tastes during inhalation. In addition, this may be more energy efficient to the extent that less liquid and/or conductive material is drawn into thermal communication with the heating coil **124** (e.g., by the core element **122**), which may, in certain examples, require less energy to produce vaporized aerosol therefrom. In examples, the reservoir **150** may be a single, unitary absorbent component. In examples, the reservoir **150** may be a carton or similar device. The reservoir **150** may, in certain examples, serve as a primary storage reservoir for the liquid to be vaporized. With reference to FIG. 2A and FIG. 2B as well, the reservoir **150** may be positioned proximate the first seal **160**. In examples, at least a portion of the first seal **160** (e.g., the nipple **164** thereof) may be received within the reservoir **150**. In examples, the reservoir **150** may include an opening **156**. The opening **156** may extend entirely through the reservoir **150** (e.g., from a first end **152** to an opposite, second end **154** of the reservoir **150**). The opening **156** of the reservoir **150** may receive a portion of the first seal **160** (e.g., the nipple **164** thereof) along one end thereof. With reference again to FIG. 2A and FIG. 2B, the reservoir **150** may be positioned proximate the second seal **170**. In examples, the first sleeving **130**, the second sleeving **140**, the heating component **120**, and/or a portion of the second seal **170** (e.g., the nipple **174** thereof) may be received within the reservoir. For instance, the opening **156** of the reservoir **150** may receive the first sleeving **130**, the second sleeving **140**, the heating component **120**, and/or a portion of the second seal **170** (e.g., the nipple **174** thereof) along one end thereof (i.e., opposite the first seal **160**). The reservoir **150** may be of any size, shape, and/or material as desired to suit a particular application. By way of non-limiting example, the reservoir **150** may have a length of about 26.7 mm, a width of about 14.5 mm, and a height of about 6 mm. By way of further non-limiting example, the opening **156** may have a diameter of about 4 mm. By way of further non-limiting example, the reservoir **150** may have a volume of about 1.4 mL and/or a resistance of about 2.5 Ohms. In examples, the reservoir **150** may include a combination of organic and synthetic materials. The reservoir **150** may, in certain examples, include cotton, a polypropylene material, and/or a polyethylene material, or combinations thereof.

In examples, the capacity of the reservoir **150** can relate to the capacity of the battery **105** such that the reservoir **150** is configured to contain an amount of liquid that is vaporized approximately when the stored energy of the battery **105** is exhausted or nearly exhausted. In this way, the useful life of the battery **105** may substantially coincide with exhaustion of the amount of liquid in the reservoir **150** based upon its consumption during use of the device **100**. In such

examples, the user may readily understand that the useful life of the vaporization device 100 is exhausted when vaporized aerosol is no longer provided to the user, which, in this example, should coincide with the exhaustion of the battery 105 or the exhaustion of the liquid in the reservoir 150, whichever occurs first. In other examples, the capacity of the reservoir 150 can relate to the capacity of the battery 105 such that the reservoir 150 is configured to contain an amount of liquid that is vaporized before the stored energy of the battery 105 is exhausted or nearly exhausted. In this way, the useful life of the battery 105 may generally be greater than the amount of liquid in the reservoir 150. In such examples, the user may readily understand that the useful life of the vaporization device 100 is exhausted when vaporized aerosol is no longer provided to the user, which, in this example, should coincide with the exhaustion of the liquid in the reservoir 150. Such examples may ensure that all of the liquid in the reservoir 150 is vaporized (e.g., via energization of the heating coil 124 by the battery 105). In further examples, the capacity of the reservoir 150 can relate to the capacity of the battery 105 such that the reservoir 150 is configured to contain an amount of liquid that remains after the stored energy of the battery 105 is exhausted or nearly exhausted. In this way, the useful life of the battery 105 may generally be less than the amount of liquid in the reservoir 150. In such examples, the user may readily understand that the useful life of the vaporization device 100 is exhausted when vaporized aerosol is no longer provided to the user, which, in this example, should coincide with the exhaustion of the battery 105. Such examples may prevent the risk of vaporless actuation (e.g., when the battery 105 energizes the heating coil 124 despite no liquid remaining in the reservoir 150). In addition or alternatively to the foregoing, the capacity of the battery 150 may relate to the resistance of the heating coil 124 (i.e., the capacity of the battery 105 may be tuned to the resistance of the heating coil).

FIG. 9 depicts a second sleeving 140. As will be understood with reference to FIG. 2A and FIG. 2B, at least a portion of the first sleeving 130 may be disposed within the second sleeving 140. In this way, the second sleeving 140 may be configured to tighten the wires of the heating coil 124 (e.g., to tighten an exposed end portion of the heating coil 124 against the outer wall 132 of the first sleeving 130). The provision of the second sleeving 140 may prevent the possibility of damage to the heating component 120, namely the loosening of the heating coil 124. As depicted, the second sleeving 140 may be in the form of an elongate rod or tube, although other examples of the disclosure are not so limited. The second sleeving 140 may include an outer wall 142. The outer wall 142 may generally define and/or bound an interior 148 of the second sleeving 140. The interior 148 of the second sleeving 140 may, in some examples, be a hollow interior designed to receive and accommodate at least a portion of the first sleeving 130 therein and/or therethrough. In certain examples, the first sleeving 130 may be disposed within the second sleeving 140 such that the second sleeving 140 covers the through hole 136 of the first sleeving 130. The second sleeving 140 may assist in preventing or retarding the leakage of liquid through the notch 134 and/or the through hole 136 of the first sleeving 130. The second sleeving 140 may be of any size, shape, and/or material as desired to suit a particular application. By way of non-limiting example, the second sleeving 140 may have a length of about 10 mm, an outer diameter of about 4.5 mm,

and/or an inner diameter of about 4 mm. The second sleeving 140 may, in certain examples, be made of fiberglass.

Turning now to FIG. 10A and FIG. 10B, certain aspects of the bottom cap 180 may be seen. With reference to FIGS. 1A-2B as well, the bottom cap 180 may be positioned proximate the second end 114 of the housing 110. As explained in detail herein, the bottom cap 180 may be operatively secured to the second end 114 of the housing 110. In certain examples, the bottom cap 180 may be removably connected to the second end 114 of the housing 110. With reference to FIG. 1A and FIG. 2A as well, a substantial portion of the bottom cap 180 may, in some examples, be received within the second end 114 of the housing 110.

With continued reference to FIG. 10A, the bottom cap 180 includes a controller 181. In examples, the bottom cap 180 further includes a sensor 182. The sensor 182 may, in certain examples, be part of the controller 181. The controller 181 and/or the sensor 182 may, in certain examples, be supported within a holder 183 that is disposed in the bottom cap 180, although other examples of the disclosure are not so limited. The holder 183 may define a cavity 183a (refer to FIG. 14) within which the controller 181 and/or the sensor 182 may be supported or otherwise disposed. The holder 183 may, in certain examples, be made of a silicon rubber (e.g., 40° silicon rubber). The sensor 182 may be configured to detect air flow and/or air pressure. For instance, the sensor 182 may, in some examples, be a microphone. In more specific examples, the sensor 182 may be a condenser microphone. In examples in which the sensor 182 is a microphone, the sensor 182 may include a diaphragm configured to move under suction. The diaphragm may be configured to move as air passes through one or more pores 182b defined in the sensor 182. Movement of the diaphragm of the sensor 182 may change the measured capacity between the diaphragm (e.g., an exposed trace configured to make contact with the diaphragm) and a front plate separated from the diaphragm (e.g., by an isolating plastic ring and/or a conductive ring).

In this way, the sensor 182 may be in the form of a microphone configured to operate as an airflow sensor (i.e., to detect air flow, air pressure, or both). The sensor 182 (e.g., microphone) may, in certain examples, be configured to drive normally under a load of greater than 1.2 Ohms and/or a constant output voltage of about 3.6V. As will be appreciated by those skilled in the art the sensor 182 may take other forms as well, such as a valve (or other sensors that displace mechanically as a result of flow such as turbines) or others. In embodiments, two or more sensors can be used. In embodiments where a quantity of flow can be measured (e.g., the sensor provides more than a binary output), an amount of airflow or suction can be compared to a threshold to determine whether to energize the heating coil 124, or to energize the heating coil 124 to different levels thereby controlling the amount of vapor produced. The sensor 182 may detect air flow or air pressure (e.g., negative pressure) indicative of whether a user is providing a sucking force on the nozzle cap 190. In this way, the controller 181 and/or the sensor 182 may provide a signal indicative of such suction, which may be used as a control by the user to cause the device to provide vaporized aerosol. In examples, the controller 181 and/or the sensor 182 may be configured to provide such a signal to the heating coil 124 when a predetermined negative pressure is reached (e.g., about 400 pascals). In response to the suction, the heating coil 124 may be energized as described herein. Upon heating the liquid via the heating coil 124, the vaporized aerosol or smoke pro-

13

duced thereby may be delivered to the user via the nozzle cap **190** (refer to the vaporized aerosol or smoke flow path illustrated with arrows in FIG. 2A). The controller **181** and/or the sensor **182** may be configured to have a shutoff delay such that the heating coil **124** is energized (and vaporized aerosol is provided to the user) for as long as suction occurs or until a predetermined maximum amount of suction time has elapsed, whichever occurs first. For users with a smaller lung capacity or that prefer smaller draws, this may provide consistent draws according to their preferences. Conversely, for users with a larger lung capacity or that prefer larger draws, this may provide consistent draws for a specific time period (e.g., about 10 seconds). Put another way, the shutoff delay may operate such that in response to continued suction by the user, the heating coil **124** is only energized for a predetermined maximum amount of time (e.g., about 10 seconds). After the predetermined maximum amount of time has been reached, energizing of the heating coil **124** may be ceased, such as by sending a signal to the heating coil **124** to cease energization (e.g., from the controller **181**). This may increase safety of the vaporization device **100** by preventing the heating coil **124** from being continuously energized for an extended period of time. In addition, this may ensure the user is provided with an expected and/or consistent amount of vaporized aerosol during each period of suction, including toward the end of the useful life of the vaporization device **100** (e.g., when the battery **105** is nearly exhausted and/or the liquid in the reservoir **105** is nearly exhausted). Advantageously, this may provide the user with a more consistent and pleasing experience and reduce the chances of overheating or burning. Further yet, this may reduce variability of use for calibration of the battery **105**, reservoir **150**, and/or heating component **120** to exhaust the battery capacity and the liquid in the reservoir **150** at substantially the same time, as described herein.

In examples, an additional or alternative safety shutoff may be provided. In such examples, the controller **181** and/or the sensor **182** may be configured to break the circuit to the heating coil **124** based upon a triggered safety condition (e.g., temperature, voltage, risk of failure). For instance, the controller **181** and/or the sensor **182** may trigger a shutdown condition upon detection of a short, power surge, or overheating. This may prevent problems otherwise arising from accidental actuation or accidentally prolonged actuation, the failure of the controller **181** or the sensor **182**, and/or a short circuit (e.g., due to dropping the device or another mechanical or electrical compromise). As described above, in certain examples the battery **105** may be configured to have an output voltage of about 3.5 volts. In examples, if the actual output voltage of the battery **105** is greater than 3.5 volts, the controller **181** and/or the sensor **182** may be configured to cause the battery **105** to output only 3.5 volts. Conversely, in examples, if the actual output voltage of the battery **105** is less than 3.5 volts, the controller **181** and/or the sensor **182** may be configured to cause the battery **105** to output the actual output voltage. In this way, the battery **105** may generally output an actual output voltage of 3.5 volts or less, which may assist in efficient and safe energization of the heating coil **124**.

In response to a signal from the controller **181** and/or the sensor **182**, the heating coil **124** may be energized to produce vaporized aerosol from the liquid. In certain examples, the heating coil **124** may automatically be energized in response to the signal from the controller **181** and/or the sensor **182** (e.g., a signal indicating negative pressure) without further action. In alternative or complementary examples, a button

14

or similar structure can be used alone or in combination with suction to energize the heating coil **124** and/or to produce vaporized aerosol. In alternative examples, a button or other control can be used independently without the detection of suction to the heating coil **124**. In examples, the controller **181** and/or the sensor **182** may assist in ensuring that the user is provided with a consistent amount of vaporized aerosol (e.g., and nicotine) in each draw. Further, the controller **181** and/or the sensor **182** may ensure an optimal amount of vaporized aerosol is provided with respect to the user's lung capacity.

The bottom cap **180** may further include a light source **184**. In examples, the light source **184** may be embedded in or otherwise disposed on the controller **181** and/or the sensor **182** (refer to FIG. 13). The light source **184** may be configured to illuminate in response to a signal received from the sensor **182** (e.g., a sensor indicating that the user is providing a sucking force on the nozzle cap **190** and thus desires to be provided with vaporized aerosol). For instance, the light source **184** may, in some examples, be one or more light emitting diodes. The light source **184** may be configured to illuminate whenever the heating coil **124** is energized and/or the user is providing a sucking force and/or when vaporized aerosol is being provided to the user. The light source **184** may be configured to illuminate in different colors (e.g., white) and/or intensities (e.g., dimming) to represent different states of the vaporization device **100** (e.g., providing vaporized aerosol, low battery). Generally, when suction is present, the sensor **182** (e.g., microphone) may be activated and may send a signal to the light source **184** causing the light source **184** to illuminate in response thereto.

The bottom cap **180** may further include a light guide element **186**. The light guide element **186** may, in certain examples, serve dual functions. For instance, the light guide element **186** may be configured to operatively secure the bottom cap **180** to the second end **114** of the housing **110**. The light guide element **186** may further be configured to permit illuminated light from the light source **184** to pass therethrough.

In examples, the light guide element **186** may interface directly with the second end **114** of the housing **110** to operatively secure the bottom cap **180** thereto. In certain examples, the light guide element **186** may interface with the viewing panel **116** positioned at the second end **114** of the housing **110**. When the bottom cap **180** is inserted into the second end **114** of the housing **110**, the light guide element **186** and the viewing panel **116** may align with one another (refer to FIG. 1A). In examples, the light guide element **186** and the viewing panel **116** may be shaped complementary to each other. In certain examples, the light guide element **186** may be in the form of a raised detent having a bore therethrough or translucent or semi-transparent portion to permit the passage of light, and the viewing panel **116** may be in the form of a slot configured to at least partially receive the light guide element **186** therein. As will be readily appreciated, these structures could be reversed or modified as desired. The interface between the light guide element **186** and the viewing panel **116** may operatively secure the bottom cap **180** to the second end **114** of the housing **110**. In this way, illuminated light from the light source **184** may pass through each of the light guide element **186** and the viewing panel **116**. In examples, the bottom cap **180** may include one or more reflective elements or reflective materials designed to amplify the illuminated light from the light source **184** through the light guide element **186** and/or the viewing panel **116**. In examples, the light guide element **186**

15

and/or the viewing panel **116** are at least partially transparent to illuminated light from the light source **184** such that the illuminated light may pass therethrough. By way of non-limiting example, the light guide element **186** and/or the viewing panel **116** may be at least 50% transparent to illuminated light from the light source **184**, such as at least 75% transparent.

The bottom cap **180** described herein achieves several advantages. For instance, the number of parts is reduced, thereby decreasing production costs and time. Similarly, the assembly process is simplified. Further, as described above, the light guide element **186** serves the dual functions of operatively securing the bottom cap **180** to the housing **110** and guiding illuminated light from the light source **184** therethrough. With respect to operatively securing the bottom cap **180** to the housing **110**, a drop test was performed on one of the examples disclosed herein to test the effectiveness and reliability of the interface between the light guide element **186** and the viewing panel **116**. For testing, the vaporization device **100** was dropped from a height of 1 meter onto a marble floor with the nozzle cap **190** facing upwards, with the nozzle cap **190** facing downwards, and with the vaporization device **100** oriented sideways. In each test, the interface between the light guide element **186** and the viewing panel **116** remained intact and there was no visible liquid leakage.

The bottom cap **180** may also include a light guide panel **188**. The light guide panel **188** may be configured to permit illuminated light from the light source **184** to pass therethrough. In examples, the light guide panel **188** is at least partially transparent to illuminated light from the light source **184** such that the illuminated light may pass therethrough. By way of non-limiting example, the light guide panel **188** may be at least 50% transparent to illuminated light from the light source **184**, such as at least 75% transparent. The light guide panel **188** may, in certain examples, be positioned on a surface of the bottom cap **180** (e.g., a bottom surface of the bottom cap **180**), and the light guide element **186** may be positioned on a different surface of the bottom cap **180** (e.g., a side surface of the bottom cap **180**). In examples, the bottom surface of the bottom cap **180** (e.g., the surface on which the light guide panel **188** is positioned) may be substantially planar. This may provide the vaporization device **100** to be stood upright on a flat surface.

The bottom cap **180** may be of any size, shape, and/or material as desired to suit a particular application. By way of non-limiting example, the bottom cap **180** may have a length of about 14.5 mm, a width of about 6.4 mm, and/or a height of about 8.7 mm. By way of further non-limiting example, the light guide element **186** may have a length of about 3.3 mm, a width of about 1.3 mm, and/or a height of about 0.4 mm. By way of further non-limiting example, the light guide panel **188** may have a length of about 2 mm and/or a width of about 0.8 mm. The bottom cap **180** may, in certain examples, be made of a polycarbonate material.

Turning now to FIGS. 11A-C, certain aspects of the nozzle cap **190** may be seen. With reference to FIGS. 1A-2B as well, the nozzle cap **190** may be positioned proximate the first end **112** of the housing **110**. As explained in detail herein, the nozzle cap **190** may be operatively secured to the first end **112** of the housing **110**. In certain examples, the nozzle cap **190** may be removably secured to the first end **112** of the housing **110**. With reference to FIG. 1A and FIG. 2A as well, a substantial portion of the nozzle cap **190** may extend beyond the first end **112** of the housing **110** (in contrast to a substantial portion of the bottom cap **180** being

16

received within the second end **114** of the housing **110**). The nozzle cap **190** being separable from the housing **110** and/or being formed from a different material than the housing may advantageously allow the nozzle cap **190** to expand when heated vapor is passing therethrough and/or time to cool before inhalation. The nozzle cap **190** may be configured to facilitate vapor cooling between vaporization and inhalation.

As shown in FIG. 11A, the nozzle cap **190** may include a first lip **190b** proximate a distal end thereof (i.e., the end spaced apart from the housing **110** to which the nozzle cap **190** is secured). The first lip **190b** may be defined by a raised portion of the nozzle cap **190** (i.e., such that the nozzle cap **190** is tapered downward toward the distal end). The first lip **190b** may be configured to provide a strong seal (e.g., an airtight seal) with a user's lips, particularly for a user who prefers to place only a small portion of the nozzle cap **190** into the user's mouth when providing suction. As also shown in FIG. 11A, the nozzle cap **190** may also include a second lip **190c** proximate a proximate end thereof (i.e., the end of the nozzle cap **190** that is secured to the housing **110**). The second lip **190c** may be defined by a raised portion of the nozzle cap **190** (i.e., such that the nozzle cap **190** is tapered upward toward the proximate end). The second lip **190c** may be configured to provide a strong seal (e.g., an airtight seal) with a user's lips, particularly for a user who prefers to place a substantial portion of the nozzle cap **190** into the user's mouth when providing suction. Providing a strong seal with the user's lips may reduce suction noise, prevent external air from being inhaled (which may lead to a more consistent draw), and/or increased comfort.

With reference now to FIG. 11B and FIG. 11C, the nozzle cap **190** defines an air inlet **192**. With reference to FIG. 2A and FIG. 2B as well, the air inlet **192** may be positioned proximate the first end **112** of the housing **110**. In this way, the air inlet **192** may be configured to receive the vaporized aerosol (e.g., from the heating component **120**). The nozzle cap **190** may further define at least one air outlet. In certain examples, first and second air outlets **194** may be provided (refer to FIG. 11B and FIG. 11C). The air outlet(s) **194** may generally be spaced apart from the air inlet **192** along the nozzle cap **190** (e.g., away from the first end **112** of the housing **110**). The air outlet(s) **194** may be configured to expel the vaporized aerosol (e.g., from the nozzle cap **190** to the user). The nozzle cap **190** may further define an air channel **193**. The air channel **193** may extend between the air inlet **192** and the air outlet(s) **194**.

With continued reference to FIG. 11B and FIG. 11C, the nozzle cap **190** may include at least one baffle **196**. In certain examples, first and second baffles **196** may be provided (refer to FIG. 11B and FIG. 11C). The baffle(s) **196** may at least partially define a cavity **196a** within the air channel **193**. In the example illustrated in FIGS. 11A-C, the cavity **196a** is defined between first and second baffles **196**. The first and second baffles **196** are spaced apart from one another. An oil-absorbing element **198** may be at least partially disposed within the cavity **196a**. In the example illustrated in FIGS. 11A-C, two oil-absorbing elements **198** are disposed, side-by-side, within the cavity **196a**. The first and second baffles **196** are spaced apart from one another on opposing sides of the oil-absorbing element(s) **198**. The baffle(s) **196** may generally extend from the air inlet **192** to the air outlet(s) **194**.

As described herein, the oil-absorbing element(s) **198** may be designed so as to have a high surface area for contact with the vaporized aerosol passing through the air channel **193**. As suction is selectively applied and removed from the vaporization device **100**, the energization of the heating coil

124 (i.e., heating) and cessation thereof (i.e., cooling) may cause vaporized condensation of nicotine or other liquid in the nozzle cap 190, which may undesirably lead to the user being provided with condensation or droplets of undesirably strong or burnt-tasting liquid rather than the intended vaporized aerosol. The oil-absorbing element(s) 198 may, in some examples, be configured to prevent or retard such condensation or water vapor from passing through the air channel 193 to the air outlet(s) 194. Advantageously, this may prevent or retard water vapor from being carried into the user's lungs when the user inhales the vaporized aerosol. As the user provides suction to receive vaporized aerosol, the vaporized aerosol may be provided such that a substantial portion of the vaporized aerosol travels from the air inlet 192 to the air outlet(s) 194 generally along the center of the air channel 193. In examples, the oil-absorbing element(s) 198 may be arranged proximate a center of the nozzle cap 190 and/or a center of the air channel 193. Put another way, the oil-absorbing element(s) 198 may be positioned in-line within the air channel 193. In examples, the number of oil-absorbing elements 198 may coincide with the number of air outlets 194, although other examples are not so limited. For instance, in one example, the nozzle cap 190 may include a single air outlet 194 and one oil-absorbing element 198 positioned in the air channel 193 in-line with the air outlet 194. In another example, the nozzle cap 190 may include a pair of air outlets 194 and a pair of oil-absorbing elements 198 each positioned in the air channel 193 in-line with one of the air outlets 194. In examples in which multiple air outlets 194 are provided, the air outlets 194 may generally be connected to one another by a central opening (refer to FIG. 11B), and one or more oil-absorbing elements 198 may be provided (e.g., in-line with the central opening). As described herein, the use of one or more oil-absorbing elements 198 may assist in preventing or retarding condensate or water vapors from reaching the user's lips. In certain examples as described herein, the nozzle cap 190 may be designed to be sufficiently long (e.g., greater than about 20 mm) to assist in preventing or retarding condensate or water vapors from reaching the user's lips without the use of one or more oil-absorbing elements 198 (or in addition thereto). In examples in which the nozzle cap 190 is designed to be shorter (e.g., less than about 10 mm), one or more oil-absorbing elements 198 may be provided to assist in preventing or retarding condensate or water vapors from reaching the user's lips as described herein.

In examples, the baffle(s) 196 may at least partially occlude the oil-absorbing element(s) 198 from direct exposure to the air channel 193. The portion(s) of the baffle(s) 196 that occludes the oil-absorbing element(s) 198 from direct exposure to the air channel 193 may further provide support for the oil-absorbing element(s) 198 and/or serve to define the cavity 196a within which the oil-absorbing element(s) 198 may be disposed. In certain examples, the baffle(s) 196 may define one or more notches 197. The notch(es) 197 may be configured to expose the oil-absorbing element(s) 198 to the air channel 193. The portion(s) of the oil-absorbing element(s) 198 exposed to the air channel 193 (e.g., by the one or more notches 197) may absorb condensate so as to prevent or retard such condensate from being provided to the user with the vaporized aerosol.

The nozzle cap 190 described herein achieves several advantages. For instance, the delivery distance from the air inlet 192 to the air outlet(s) 194 is effectively lengthened, thereby reducing the temperature of the vaporized aerosol to a suitable temperature (e.g., less than about 48° C.). With respect to reducing the temperature of the vaporized aerosol

to a suitable temperature, a nozzle temperature test was performed on one of the examples disclosed herein to test the effectiveness and reliability of the of the nozzle cap 190. The vaporization device 100 was attached to a suction machine and suction was applied for about 2 seconds and then suction was ceased for about 8 seconds. The initial surface temperature and the surface temperature of the nozzle cap 190 after suction were detected at the beginning of each suction. In each test, the surface temperature of the nozzle cap 190 did not exceed 48° C. Table 1 below shows the surface temperature of the nozzle cap 190 for each listed parameter.

TABLE 1

Test No.	Suction Pressure 4kPa	Suction for 2s; Stopping for 8s	Point Temperature Line 6#	Test Temperature 25.7° C.	Initial Temperature 26.7° C.
Test 1	31.4° C.	33.2° C.	34.4° C.	35.6° C.	36.3° C.
Test 2	36.6° C.	36.9° C.	37.0° C.	37.0° C.	37.1° C.
Test 3	36.9° C.	36.9° C.	36.9° C.	36.7° C.	36.5° C.

With respect to condensate absorption by the oil-absorbing element(s) 198, a test was performed to test the effectiveness and reliability of the of the oil-absorbing element(s) 198. To perform the test, the output of the battery 105 was maximized, the smoking rate was set to about 17.5 mL/s, and suction was applied for about 2-3 seconds and then ceased for about 8-10 seconds. In each test, there was effective oil absorption by the oil-absorbing element(s) 198 and no condensate was detected.

The nozzle cap 190 may be of any size, shape, and/or material as desired to suit a particular application. By way of non-limiting example, the nozzle cap 190 may have a length of about 15.5 mm, a width of about 7 mm, and/or a height of about 20 mm. By way of further non-limiting example, the baffle(s) 196 may have a width of about 0.8 mm. By way of further non-limiting example, the oil-absorbing element may have a length of about 15 mm, a width of about 4 mm, and/or a height of about 1.8 mm. The nozzle cap 190 may, in certain examples, be made of an acrylonitrile butadiene styrene (ABS) material. The oil-absorbing element may, in certain examples, include cotton and/or a plant fiber (e.g., organic or synthetic cotton). In certain examples, the oil-absorbing element may be made of a surgical-grade cotton. The length of the nozzle cap 190 may be selected or optimized to reduce the temperature of the vaporized aerosol to an acceptable level. By way of non-limiting example, the nozzle cap 190 may have a length (i.e., measured between the air inlet 192 and the air outlet 194 along the air channel 193) of from about 10 mm to about 20 mm. In addition or alternative to reducing the temperature of the vaporized aerosol to an acceptable level, the length of the nozzle cap 190 may further prevent condensate or water vapors from passing to the user and/or may further prevent the user from undesirable or potentially harmful electrical shocks that have been known to occur in existing e-cigarettes.

During transportation, the orientation of the vaporization device may be changed frequently or rapidly, which often makes conventional vaporization devices susceptible to leakage. Thus, during transportation of the vaporization device 100 described herein, it is important to prevent or retard the leakage of the liquid (e.g., the nicotine-containing liquid) therefrom. The vaporization device 100 described herein may include a nozzle cap case 190a, such as is

19

illustrated in FIG. 15. Generally, the nozzle cap case **190a** may be configured to fit over the nozzle cap **190** so as to at least partially encompass the nozzle cap **190**. In examples, the nozzle cap case **190a** may be configured to fit snugly over the nozzle cap **190** so as to assist in preventing or retarding the leakage of liquid from the vaporization device **100** via the nozzle cap **190**. The nozzle cap case **190a** is generally sized and shaped so as to be complementary to the nozzle cap **190** so as to fit over the nozzle cap **190** as described above. By way of non-limiting example, the nozzle cap case **190a** may have a length of about 15.7 mm, a width of about 7.2 mm, and/or a height of about 19.9 mm. In the same or alternative examples, the vaporization device **100** described herein may include a bottom cap case **180a**, such as is illustrated in FIG. 16. Generally, the bottom cap case **180a** may be configured to fit over the bottom cap **180** so as to at least partially encompass the bottom cap **180**. In examples, the bottom cap case **180a** may be configured to fit snugly over the bottom cap **180** so as to assist in preventing or retarding the leakage of liquid from the vaporization device **100** via the bottom cap **180**. The bottom cap case **180a** is generally sized and shaped so as to be complementary to the bottom cap **180** so as to fit over the bottom cap **180** as described above. By way of non-limiting example, the bottom cap case **180a** may have a length of about 15.9 mm, a width of about 7.4 mm, and/or a height of about 8.7 mm.

It should be noted that the illustrations and descriptions of the examples shown in the figures are for exemplary purposes only and should not be construed as limiting the disclosure. One skilled in the art will appreciate that the present disclosure contemplates various examples. Additionally, it should be understood that the concepts described above with the above-described examples may be employed alone or in combination with any of the other examples described above. It should further be appreciated that the various alternative examples described above with respect to one illustrated example can apply to all examples as described herein, unless otherwise indicated.

Unless explicitly stated otherwise, each numerical value and range should be interpreted as being approximate as if the word “about,” “approximately,” or “substantially” preceded the value or range. The terms “about” and “approximately” can be understood as describing a range that is within 15 percent of a specified value unless otherwise stated.

Conditional language used herein, such as, among others, “can,” “could,” “might,” “may,” “e.g.,” and the like, unless specifically stated otherwise, or otherwise understood within the context as used, is generally intended to convey that certain examples include, while other examples do not include, certain features, elements, and/or steps. Thus, such conditional language is not generally intended to imply that features, elements, and/or steps are in any way required for one or more examples or that one or more examples necessarily include these features, elements and/or steps. The terms “comprising,” “including,” “having,” and the like are synonymous and are used inclusively, in an open-ended fashion, and do not exclude additional elements, features, acts, operations, and so forth.

While certain examples have been described, these examples have been presented by way of example only and are not intended to limit the scope of the inventions disclosed herein. Thus, nothing in the foregoing description is intended to imply that any particular feature, characteristic, step, module, or block is necessary or indispensable. Indeed, the novel methods and articles described herein may be

20

embodied in a variety of other forms; furthermore, various omissions, substitutions, and changes in the form of the methods and articles described herein may be made without departing from the spirit of the inventions disclosed herein. The accompanying claims and their equivalents are intended to cover such forms or modifications as would fall within the scope and spirit of certain of the inventions disclosed herein.

It will be understood that reference herein to “a” or “one” to describe a feature such as a component or step does not foreclose additional features or multiples of the feature. For instance, reference to a device having or defining “one” of a feature does not preclude the device from having or defining more than one of the feature, as long as the device has or defines at least one of the feature. Similarly, reference herein to “one of” a plurality of features does not foreclose the invention from including two or more, up to all, of the features. For instance, reference to a device having or defining “one of a X and Y” does not foreclose the device from having both the X and Y.

What is claimed:

1. A heating component for a vaporization device, the heating component comprising:

an absorbent core element configured to absorb a liquid;
 a heating coil configured to be energized to produce vaporized aerosol from the liquid, the heating coil including first and second end portions that are not wound around the absorbent core element and an intermediary portion positioned between the first and second end portions and that is wound around the absorbent core element, the intermediary portion and the first and second end portions of the heating coil each being part of a single, continuous wire having a substantially constant resistance along its entire length;
 a first sleeving including an outer wall defining a notch leading to a through hole, the through hole configured to receive and fixedly secure the absorbent core element;
 a battery in electrical communication with the heating coil and configured to energize the heating coil; and
 a controller configured to send a signal to energize the heating coil;
 wherein the first end portion continuously extends between the controller and the intermediary portion and the second end portion continuously extends between the battery and the intermediary portion.

2. The heating component of claim 1, wherein the absorbent core element includes cotton.

3. The heating component of claim 1, wherein the absorbent core element includes organic cotton.

4. The heating component of claim 1, wherein the heating coil includes a nickel-chromium alloy.

5. The heating component of claim 1, wherein:
 the first end portion is at least partially disposed within a first tube such that the first tube insulates the non-wound first end portion as the first end portion continuously extends between the controller and the intermediary portion; and

the second end portion is at least partially disposed within a second tube such that the second tube insulates the non-wound second end portion as the second end portion continuously extends between the battery and the intermediary portion.

6. The heating component of claim 5, wherein the first and second tubes are each a polytetrafluoroethylene material.

7. The heating component of claim 1, wherein the single, continuous wire has a resistance of about 2.5 Ohms.

21

8. The heating component of claim 1, wherein the single, continuous wire has a diameter of about 0.12 mm.

9. The heating component of claim 1, wherein the notch has a width that is less than a diameter of the through hole.

10. A vaporization device, comprising:
 the heating component of claim 1;
 an absorbent reservoir configured to hold the liquid, the absorbent reservoir defining an opening, wherein the absorbent core element directly interfaces with the absorbent reservoir and is configured to draw the liquid from the absorbent reservoir onto the absorbent core element; and
 an elongate tube defining a second sleeving within which the first sleeving is disposed, the second sleeving configured to surround and tighten an unwound portion of the heating coil against the outer wall of the first sleeving and to prevent leakage of the liquid through the notch or through hole of the first sleeving, wherein the second sleeving is received within the opening defined in the absorbent reservoir.

11. A vaporization device, comprising:
 the heating component of claim 1;
 the liquid configured to be energized by the heating coil to produce vaporized aerosol therefrom; and
 an absorbent reservoir configured to hold the liquid, wherein the absorbent reservoir has a reservoir capacity, wherein the battery has a battery capacity and wherein the battery capacity relates to the reservoir capacity such that the absorbent reservoir is configured to contain an amount of the liquid that is vaporized approximately when the battery capacity is substantially exhausted.

12. A vaporization device, comprising:
 a housing having a first end and a second end opposite the first end thereof, and
 a heating component disposed within the housing, the heating component comprising:
 an absorbent core element configured to absorb a liquid;
 a heating coil at least partially wound around the core element and configured to be energized to produce vaporized aerosol from the liquid, the heating coil including first and second end portions that are not wound around the absorbent core element and an intermediary portion positioned between the first and second end portions and that is wound around the absorbent core element, the intermediary portion and the first and second end portions of the heating coil each being part of a single, continuous wire having a substantially constant resistance along its entire length; and
 a first sleeving including an outer wall defining a notch leading to a through hole, the through hole configured to receive and fixedly secure the absorbent core element;
 a battery in electrical communication with the heating coil and configured to energize the heating coil, the battery including a negative terminal and a positive terminal; and

22

a controller configured to send a signal to energize the heating coil;
 wherein the first end portion continuously extends between the controller and the intermediary portion and the second end portion continuously extends between the battery and the intermediary portion.

13. The vaporization device of claim 12, wherein:
 the first end portion is at least partially disposed within a first tube such that the first tube insulates the non-wound second end portion as the first end portion continuously extends between the controller and the intermediary portion; and
 the second end portion is at least partially disposed within a second tube such that the second tube insulates the non-wound second end portion as the second end portion continuously extends between the battery and the intermediary portion.

14. The vaporization device of claim 13, wherein:
 the first end portion electrically connects the controller to the intermediary portion of the heating coil; and
 the second end portion electrically connects the negative terminal of the battery to the intermediary portion of the heating coil.

15. The vaporization device of claim 14, further comprising a second wire electrically connecting the controller to the positive terminal of the battery.

16. The vaporization device of claim 13, further comprising:
 an absorbent reservoir configured to hold the liquid, the absorbent reservoir defining an opening, wherein the absorbent core element directly interfaces with the absorbent reservoir and is configured to draw the liquid from the absorbent reservoir onto the absorbent core element; and
 an elongate tube defining a second sleeving within which the first sleeving is disposed, the second sleeving configured to surround and tighten an unwound portion of the heating coil against the outer wall of the first sleeving and to prevent leakage of the liquid through the notch or through hole of the first sleeving, wherein the second sleeving is received within the opening defined in the absorbent reservoir.

17. The vaporization device of claim 13, further comprising:
 the liquid configured to be energized by the heating coil to produce vaporized aerosol therefrom; and
 an absorbent reservoir configured to hold the liquid, wherein the reservoir has a reservoir capacity and the battery has a battery capacity and wherein the battery capacity relates to the reservoir capacity such that the absorbent reservoir is configured to contain an amount of the liquid that is vaporized approximately when the battery capacity is substantially exhausted.

* * * * *